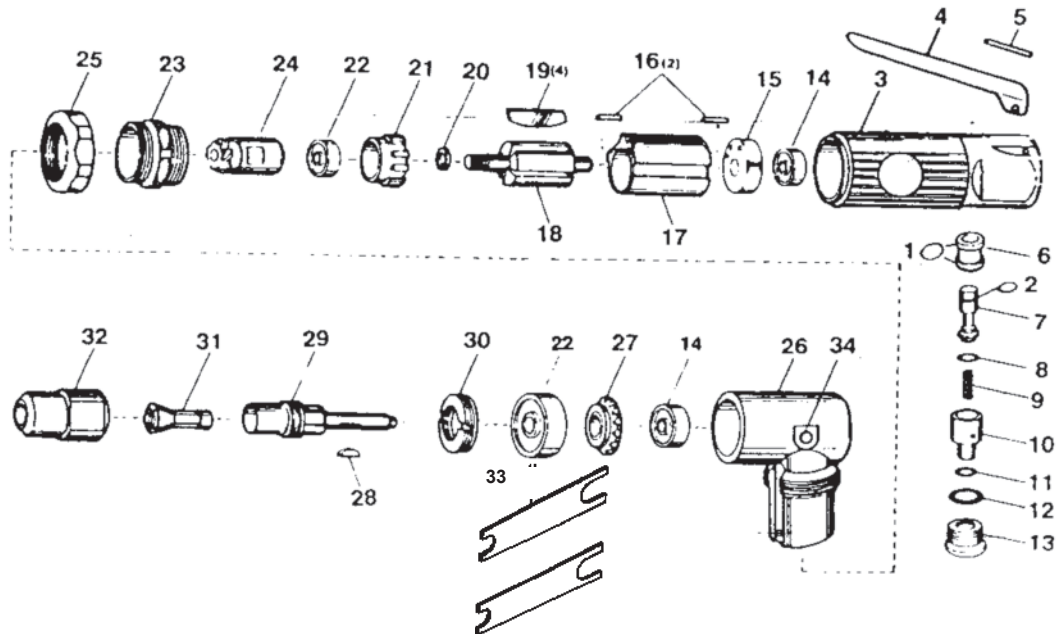


# T-7759 1/4" Angle Die Grinder Front Exhaust



## OILING INSTRUCTIONS:

OIL AFTER EACH USE WITH 1 OR 2 TABLE-SPOONS OF AIRTOOL OIL THROUGH THE AIR INLET. RUN FOR ONE SECOND TO COAT ALL INTERNAL PARTS.



## USE 90 PSI MAXIMUM

Ref.#	Part #	Description	Qty.
1	775901N	"O"Ring	
2	775902N	"O"Ring	2
3	775903N	Handle	1
4	775904N	Lever	1
5	775905N	Pin	1
6	775906N	Bushing	1
7	775907N	Throttle Valve	1
8	775908N	"O"Ring	1
9	775909N	Spring	1
10	775910N	Regulator	1
11	775911N	"O"Ring	1
12	775912N	"O"Ring	1
13	775913N	Valve Screw	1
14	775914N	Bearing	2
15	775915N	Rear End Plate	1
16	775916N	Spring Pin	2
17	775917N	Cylinder	1
18	775918N	Rotor	1

Ref.#	Part #	Description	Qty.
19	775919N	Rotor Blades (4 per set)	1 Set
20	775920N	Stop Ring	1
21	775921N	Front End Plate	1
22	775922N	Bearing	2
23	775823N	Lock Nut	1
24	775924N	Bevel Gear	1
25	775925N	Cover	1
26	775926N	Angle Housing	1
27	775927N	Bevel Gear	1
28	775928N	Key	1
29	775929N	Spindle	1
30	775930N	Cap	1
31	T-7504	1/4" Collet	1
	T-7508	1/8" Collet(not included)	1
32	775932N	Nut	1
33	775933N	Wrench 11mm x 17mm	2
34	775934N	Grease Fitting	1

505 N. Railroad Ave.  
P.O. Box 1117  
Boynton Beach, Florida 33435

**SEE OUR CATALOG**  
at  
[www.taylorpneumatic.com](http://www.taylorpneumatic.com)

PH. 561-732-1111  
FAX 561-731-4412  
Toll Free 800-805-8665

11/07 TPTCDPT  
all rights reserved  
COPYRIGHT 2007  
final