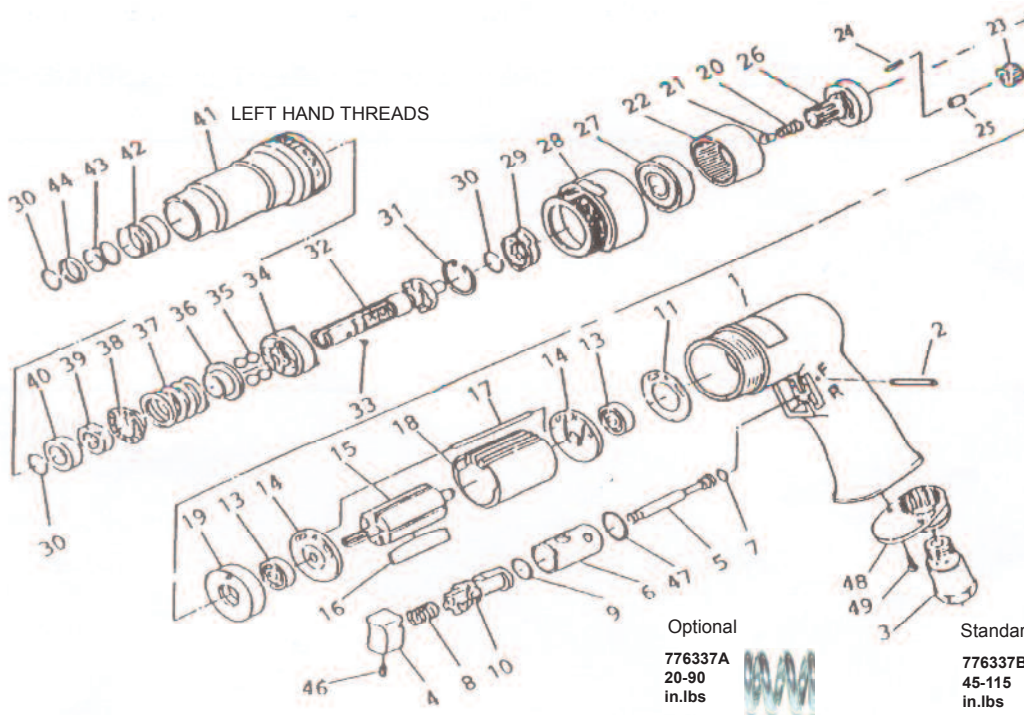


# T-7763 1/4" Screwdriver



TO ADJUST CLUTCH, first disconnect tool from air supply. **Caution** - do not allow 20 & 21 to fall out of drive spline or any dirt to enter assembly or housing. Remove #41 (left hand threads). Remove #31 through #40 as a complete unit. Gently grasp drive dog ears on #34 in vice. Use 17mm open end wrench to adjust #39. Tightening will increase torque and loosening will decrease torque. Re-install #41 using caution not to lose #20 and #21

### OILING INSTRUCTIONS:

**OIL AFTER EACH USE WITH 1 OR 2 TABLE-SPoons OF AIRTOOL OIL THROUGH THE AIR INLET. RUN FOR ONE SECOND TO COAT ALL INTERNAL PARTS.**

Optional  
776337A  
20-90  
in.lbs



Standard  
776337B  
45-115  
in.lbs



Optional  
776337C  
45-145  
in.lbs.



## USE 90 PSI MAXIMUM

Ref.#	Part #	Description	Qty.
1	776301	Housing	1
1A	776301A	Complete Housing	1
2	776302	Pin	1
3	776303	Air Inlet	1
4	776304	Trigger	1
5	776305	Valve Stem	1
6	776306	Reverse Bushing	1
7	776307	"O" Ring	1
8	776308	Valve Spring	1
9	776309	"O" Ring	1
10	776310	Reverse Lever	1
11	776311	Motor Gasket	1
13	776313	Bearing	2
14	776314	End Plate	2
15	776315	Rotor	1
16	776316	Rotor Blades (5 per set)	1 set
17	776317	Pin	1
18	776318	Cylinder	1
19	776319	Spacer	1
20	776320	Spring	1
21	776321	Plunger	1
22	776322	Internal Gear	1
23	776323	Planet Gear	3
24	776324	Pin	3

Ref.#	Part #	Description	Qty.
25	776325	Spacer	3
26	776326	Work Spindle	1
27	776327	Bearing	1
28	776328	Clamp Nut	1
29	776329	Drive Dog	1
30	776330	Retainer Ring	3
31	776331	Retaining Ring	1
32	776332	Cam Spindle	1
33	776333	Ball	1
34	776334	Clutch Carrier	1
35	776335	Ball	4
36	776336	Washer	1
37	776337B	Spring (standard)	1
38	776338	Washer	1
39	776339	Adjusting Nut	1
40	776340	Spacer	1
41	776341	Clutch Housing	1
42	776342	Ball Retainer	1
43	776343	Spring	1
44	776344	Washer	1
46	776346	Set Screw	1
47	776347	"O" Ring	1
48	776348	Exhaust Diffuser	1
49	776349	Screw	2

505 N. Railroad Ave.  
P.O. Box 1117  
Boynton Beach, Florida 33435

**SEE OUR CATALOG**  
at  
[www.taylorpneumatic.com](http://www.taylorpneumatic.com)

PH. 561-732-1111  
FAX 561-731-4412  
Toll Free 800-805-8665

06/2013 TPTCDPT  
all rights reserved  
COPYRIGHT 2013  
final