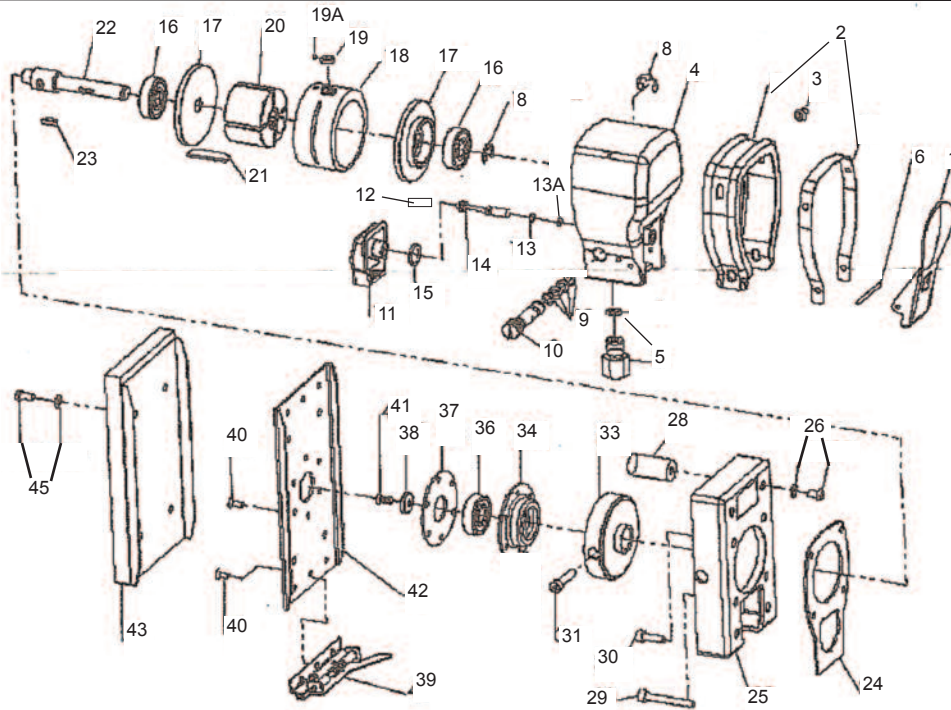


# T-7765 Jitterbug Sander



**OILING INSTRUCTIONS:**

**OIL AFTER EACH USE WITH 1 OR 2 TABLESPOONS OF AIRTOOL OIL THROUGH THE AIR INLET. RUN FOR ONE SECOND TO COAT ALL INTERNAL PARTS.**

**USE 90 PSI MAXIMUM**

Ref.#	Part #	Description	Qty.
1	776501	Lever	1
2	776502	Rubber Grip/Metal Strip	1
3	776503	Screw	4
4	776504	Body	1
5	776505	Inlet and "O" Ring	1
6	776506	Lever Pin	1
8	776508	Retaining Ring	2
9	776509	"O" Ring	4
10	776510	Speed Regulator	1
11	776511	Muffler	1
12	776512	Valve Spring	1
13	776513	"O" Ring	1
13A	776513A	"O" Ring	1
14	776514	Plunger	1
15	776515	"O" Ring	1
16	776516	Bearing	2
17	776517	End Plate	2
18	776518	Cylinder	1
19	776519	"O" Ring	1
19A	776519A	Steel Ball	1
20	776520	Rotor	1
21	776521	Rotor Blade (4 per set)	1 set
22	776522N	Rotor Shaft	1
23	776523	Key	1

Ref.#	Part #	Description	Qty.
24	776524	Gasket	1
25	776525	Base	1
26	776526	Screw & Washer	8
28	776528	Rubber Post	4
29	776529	Cap Screw	2
30	776530	Cap Screw	2
31	776531	Balancer Screw	1
33	776533	Crank Shaft	1
34	776534	Bearing Housing	1
36	776536	Bearing	1
37	776537	Bearing Plate	1
38	776538N	Washer	1
39	776539	Paper Clamp	2
40	776540	Flat Head Screw	12
41	776541N	Bearing Stop Screw	1
42	776542	Shoe Plate	1
43	776543	Sanding Pad	1
45	776545	Screw & Lock Washer	4

505 N. Railroad Ave.  
P.O. Box 1117  
Boynton Beach, Florida 33435

**SEE OUR CATALOG**  
at  
[www.taylorpneumatic.com](http://www.taylorpneumatic.com)

PH. 561-732-1111  
FAX 561-731-4412  
Toll Free 800-805-8665