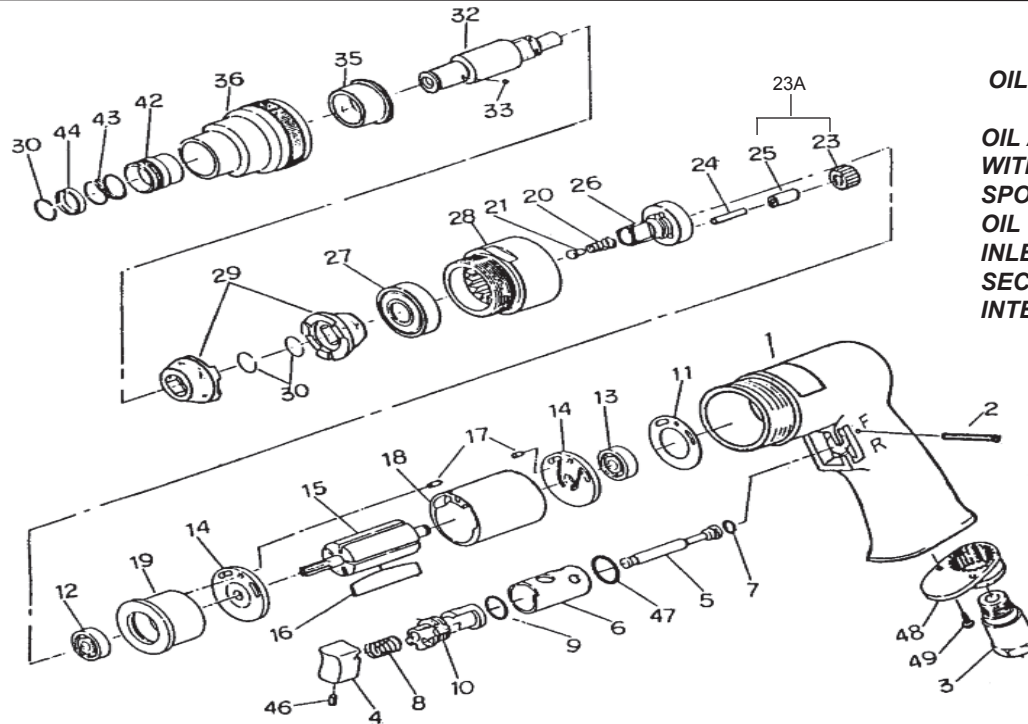


T-7766 Positive Clutch Screwdriver



OILING INSTRUCTIONS:

OIL AFTER EACH USE WITH 1 OR 2 TABLE-SPOONS OF AIRTOOL OIL THROUGH THE AIR INLET. RUN FOR ONE SECOND TO COAT ALL INTERNAL PARTS.

USE 90 PSI MAXIMUM

Ref.#	Part #	Description	Qty.
1	776601	Motor Housing	1
2	776602	Pin	1
3	776603	Air Inlet	1
4	776604	Trigger	1
5	776605	Valve Stem	1
6	776606	Reverse Bushing	1
7	776607	"O" Ring	1
8	776608	Valve Spring	1
9	776609	"O" Ring	1
10	776610	Reverse Lever	1
11	776611	Motor Gasket	1
12	776612	Bearing	1
13	776613	Bearing	1
14	776614	End Plate	2
15	776615	Rotor	1
16	776616	Rotor Blades(5 per set)	1 set
17	776617	Pin	2
18	776618	Cylinder	1
19	776619	Front End Plate	1
20	776620	Spring	1

Ref.#	Part #	Description	Qty.
21	776621	Spring Guide	1
23	776623	Planet Gear	3
23A	776623A	Planet Gear & Spacer	3
24	776624	Pin	3
25	776625	Spacer	3
26	776626	Work Spindle	1
27	776627	Bearing	1
28	776628	Clamp Nut	1
29	776629	Drive Dog	2
30	776630	Retaining Ring	3
32	776632	Cam Spindle	1
33	776633	Steel Ball	1
35	776635	Clutch Bushing	1
36	776636	Clutch Housing	1
42	776642	Ball Retainer	1
43	776643	Spring	1
44	776644	Washer	1
46	776646	Set Screw	1
47	776647	"O" Ring	1
48	776648	Exhaust Diffuser	1
49	776649	Screw	2

505 N. Railroad Ave.
P.O. Box 1117
Boynton Beach, Florida 33435

SEE OUR CATALOG
at
www.taylorpneumatic.com

PH. 561-732-1111
FAX 561-731-4412
Toll Free 800-805-8665

11/08 TPTCDPT
all rights reserved
COPYRIGHT 2008
final