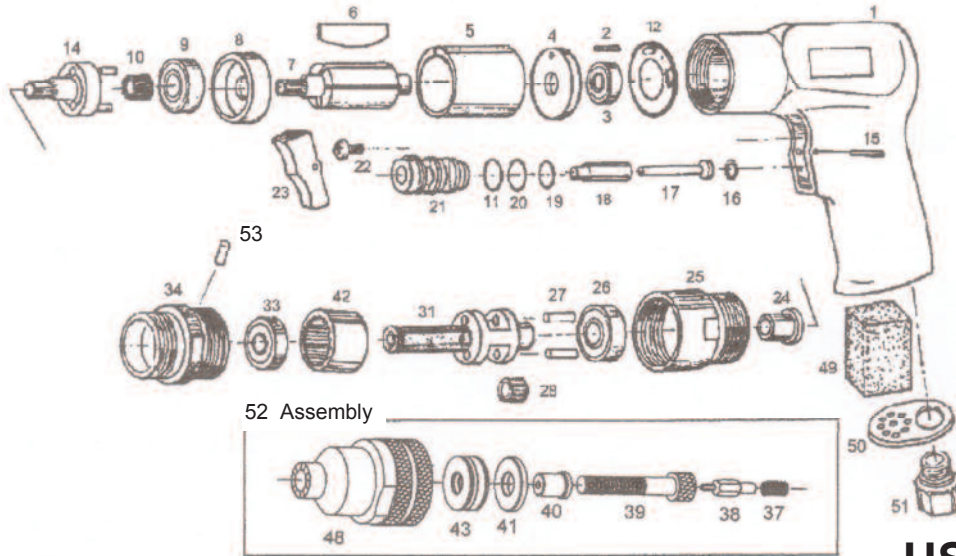


# T-7767RNA350 & 600 Pistol Grip Rivnut Tool



### OILING INSTRUCTIONS:

**OIL AFTER EACH USE WITH 1 OR 2 TABLE-SPOONS OF AIRTOOL OIL THROUGH THE AIR INLET. RUN FOR ONE SECOND TO COAT ALL INTERNAL PARTS.**

**USE 90 PSI MAX**

Ref.#	Part #	Description	Qty.								
1	7767RN01	Handle	1	33	7767RN33	Bearing	1	48	7767RN48G	Nut Anvil N1/4	1
2	7767RN02	Spring Pin	1	34	7767RN34	Screw Hsg	1	49	7767RN49	Muffler	1
3	7767RN03	Bearing	1	37	7767RN37	Spring	1	50	7767RN50	Exhst Diffuser	1
4	7767RN04	Rear End Plte	1	38	7767RN38A	Hex Bit	1	51	7767RN51	Air Inlet	1
5	7767RN05	Cylinder	1	38	7767RN38B	Hex Bit	1	52	7767RN52	Head Assmby	1
6	7767RN06	Rotor Blade	1	38	7767RN38C	Hex Bit	1			Specify	
7	7767RN07	Rotor	1	38	7767RN38D	Hex Bit	1			for any size	
8	7767RN08	Front End Plte	1	38	7767RN38E	Hex Bit	1			Head Size	
9	7767RN09	Bearing	1	39	7767RN39A	Bolt M3	1			from below	
10	7767RN10	Planet Gear	3	39	7767RN39B	Bolt M4	1	52A	7767RN52A	M3	
11	7767RN11	"O"Ring	2	39	7767RN39C	Bolt M5	1	52B	7767RN52B	M4	
12	7767RN12	Gasket	1	39	7767RN39D	Bolt M6	1	52C	7767RN52C	M5	
13	7767RN13	Pin	3	39	7767RN39E	Bolt M8	1	52D	7767RN52D	M6	
14	7767RN14	Gear Carrier	1	39	7767RN39F	Bolt 6-32	1	52E	7767RN52E	M8	
14	7767RN14A	Gear Carrier	1	39	7767RN39G	Bolt 8-32	1	52F	7767RN52F	6-32	
15	7767RN15	Pin	1	39	7767RN39H	Bolt 10-24	1	52G	7767RN52G	8-32	
16	7767RN16	"O"Ring	2	39	7767RN39I	Bolt 10-32	1	52H	7767RN52H	10-24	
17	7767RN17	Valve Stem	2	39	7767RN39J	Bolt 1/4-20	1	52I	7767RN52I	10-32	
18	7767RN18	Bushing	2	39	7767RN39K	Bolt 5/16-18	1	52J	7767RN52J	1/4-20	
19	7767RN19	"O"Ring	2	40	7767RN40A	Bushing #3	1	52K	7767RN52K	5/16-18	
20	7767RN20	"O"Ring	2	40	7767RN40B	Bushing #4	1	53	7767RN53	Pin	1
21	7767RN21	Throttle Bush.	2	40	7767RN40C	Bushing #5	1				
22	7767RN22	Screw	1	40	7767RN40D	Bushing #6	1				
23	7767RN23	Trigger	1	41	7767RN41A	Washer #8	1				
24	7767RN24	Bushing	1	41	7767RN41B	Washer #3-6	1				
24	7767RN24A	Bushing	1	42	7767RN42	Internal Gear	1				
25	7767RN25	Housing	1	43	7767RN43	Ndle Bearing	1				
26	7767RN26	Bearing	1	48	7767RN48A	Nut Anvil #3	1				
27	7767RN27	Pin	2	48	7767RN48B	Nut Anvil #4	1				
28	7767RN28	Planet Gear	2	48	7767RN48C	Nut Anvil #5	1				
28	7767RN28A	Planet Gear	2	48	7767RN48D	Nut Anvil #6	1				
31	7767RN31	Gear Carrier	1	48	7767RN48E	Nut Anvil #8	1				
31	7767RN31A	Gear Carrier	1	48	7767RN48F	Nut Anvil #N6	1				

505 N. Railroad Ave.  
P.O. Box 1117  
Boynton Beach, Florida 33435

**SEE OUR CATALOG**  
at  
[www.taylorpneumatic.com](http://www.taylorpneumatic.com)

PH. 561-732-1111  
FAX 561-731-4412  
Toll Free 800-805-8665

04/11 TPTCDPT  
all rights reserved  
COPYRIGHT 2011