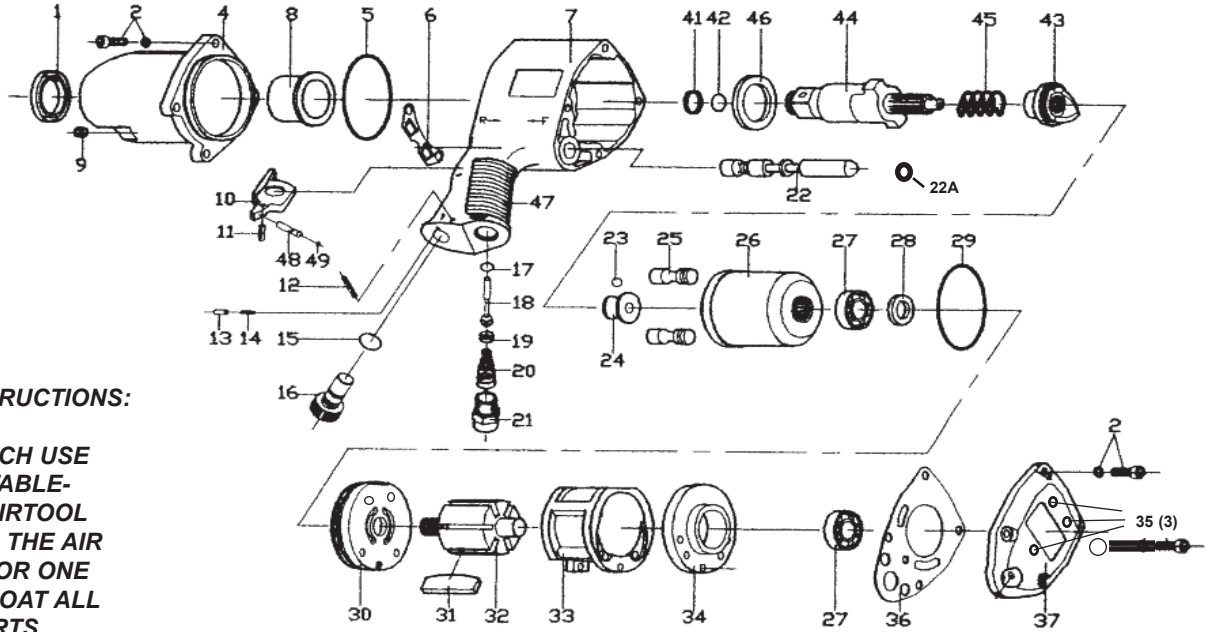


# T-7774 Heavy Duty 3/4" T-7774L Impact Wrench



**OILING INSTRUCTIONS:**

**OIL AFTER EACH USE WITH 2 OR 3 TABLE-SPOONS OF AIRTOOL OIL THROUGH THE AIR INLET. RUN FOR ONE SECOND TO COAT ALL INTERNAL PARTS.**

**USE 90 PSI MAXIMUM**

Ref.#	Part #	Description	Qty.
1	777401	Oil Seal	1
2	777402	Screw & Washer	8
4	777404	Hammer Case	1
5	777405	"O" Ring	1
6	777406	Exhaust Deflector	1
7	777407	Motor Housing	1
8	777408	Bushing	1
9	777409	Set Screw	1
10	777410	Trigger	1
11	777411	Spring Pin	1
12	777412	Spring Pin	1
13	777413	Pin	1
14	777414	Spring	1
15	777415	"O" Ring	1
16	777416	Regulator Valve	1
17	777417	"O" Ring	1
18	777418	Valve Stem	1
19	777419	Retainer	1
20	777420	Spring	1
21	777421	Air Inlet	1
22A	777422A	"O" Ring	1
22	777422	Reverse Valve	1
23	777423	Ball	1
24	777424	Spindle Guide	1
25	777425	Hammer Pin	2
26	777426	Hammer Cage	1

Ref.#	Part #	Description	Qty.
27	777427	Bearing	2
28	777428	Oil seal	1
29	777429	"O" Ring	1
30	777430N	Front End Plate	1
31	777431	Rotor Blade (6 Per Set)	1 set
32	777432	Rotor	1
33	777433	Cylinder	1
34	777434	Rear End Plate	1
35	777435N	Bolt & Washer	3
36	777436	Rear Gasket	1
37	777437N	Rear Cover	1
41	777441	Anvil Collar	1
42	777442	"O" Ring	1
43	777443	Hammer Cam	1
44	777444	Anvil	1
44	7774L44	6" Anvil	1
45	777445	Spring	1
46	777446	Washer	1
47	777447	Rubber Grip	1
48	777448	Push Pin	1
49	777449	"O" Ring	1

505 N. Railroad Ave.  
P.O. Box 1117  
Boynton Beach, Florida 33435

**SEE OUR CATALOG**  
at  
[www.taylorpneumatic.com](http://www.taylorpneumatic.com)

PH. 561-732-1111  
FAX 561-731-4412  
Toll Free 800-805-8665

11/08TPTCDPT  
all rights reserved  
COPYRIGHT 2008