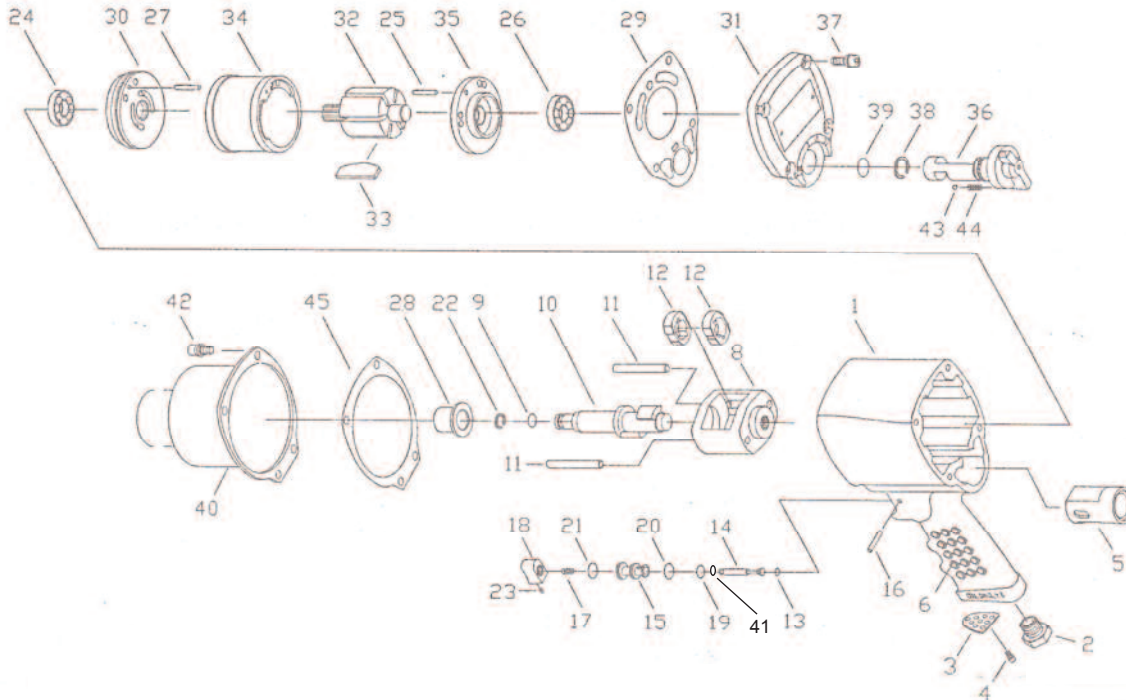


T-7775 Heavy Duty 3/4" Impact Wrench



OILING INSTRUCTIONS:

OIL AFTER EACH USE WITH 2 OR 3 TABLESPOONS OF AIRTOOL OIL THROUGH THE AIR INLET. RUN FOR ONE SECOND TO COAT ALL INTERNAL PARTS.

USE 90 PSI MAXIMUM

Ref.#	Part #	Description	Qty.
1	777501	Housing	1
2	777502	Air Inlet	1
3	777503	Exhaust Deflector	1
4	777504	Screw	1
5	777505	Valve Sleeve	1
6	777506	Rubber Grip	1
8	777508	Hammer Cage	1
9	777509	O-Ring	1
10	777510	Anvil	1
11	777511	Hammer Pin	2
12	777512	Hammer	2
13	777513	O-Ring	1
14	777514	Valve Stem	1
15	777515	Valve Bushing	1
16	777516	Spring Pin	1
17	777517	Spring	1
18	777518	Trigger	1
19	777519	O-Ring	1
20	777520	O-Ring	1
21	777521	O-Ring	1
22	777522	Anvil Collar	1
23	777523	Set Screw	1

Ref.#	Part #	Description	Qty.
24	777524	Bearing	1
25	777525	Pin	1
26	777526	Bearing	1
27	777527	Pin	1
28	777528	Bushing	1
29	777529	Gasket	1
30	777530	Front End Plate	1
31	777531	Rear Cover	1
32	777532	Rotor	1
33	777533	Vane (6 per set)	1 set
34	777534	Cylinder	1
35	777535	Rear End Plate	1
36	777536	Regulator Knob	1
37	777537	Screw and Washer	4
38	777538	Retaining Ring	1
39	777539	O-Ring	1
40	777540	Housing Cover	1
41	777541N	O-Ring	1
42	777542	Screw and Washer	4
43	777543	Ball	1
44	777544	Spring	1
45	777545	Gasket	1

505 N. Railroad Ave.
P.O. Box 1117
Boynton Beach, Florida 33435

SEE OUR CATALOG
at
www.taylorpneumatic.com

PH. 561-732-1111
FAX 561-731-4412
Toll Free 800-805-8665

03/12 TPTCDPT
all rights reserved
COPYRIGHT 2012