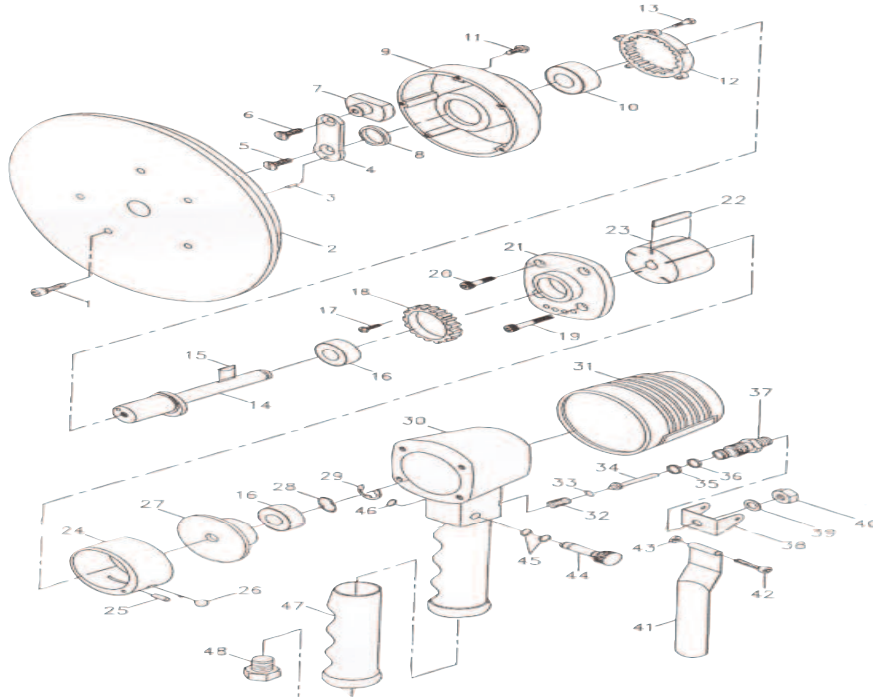


T-7777 8" Orbital Sander



OILING INSTRUCTIONS:

OIL AFTER EACH USE WITH 1 OR 2 TABLE-SPOONS OF AIR-TOOL OIL THROUGH THE AIR INLET. RUN FOR ONE SECOND TO COAT ALL INTERNAL PARTS.

USE 90 PSI MAXIMUM

Ref.#	Part #	Description	Qty.
1	777701N	Screw	5
2	777702N	8" Pad	1
3	777703N	Dowel Pin	1
4	777704N	Balance Shaft	1
5	777705N	Screw	1
6	777706N	Screw	1
7	777707N	Arm	1
8	777708N	Balance Washer	1
9	777709N	Aluminum Gear Cover	1
10	777710N	Bearing	1
11	777711N	Screw	3
12	777712N	Internal Gear	1
13	777713N	Screw	5
14	777714N	Rotor Shaft	1
15	777715N	Key	1
16	777716N	Bearing	2
17	777717N	Screw	3
18	777718N	Gear	1
19	777719N	Screw(long)	2
20	777720N	Screw(short)	2
21	777721N	Front End Plate	1
22	777722N	Rotor Blade(4 per set)	1 set
23	777723N	Rotor	1
24	777724N	Cylinder	1

Ref.#	Part #	Description	Qty.
25	777725N	Pin	1
26	777726N	"O"Ring	1
27	777727N	Rear End Plate	1
28	777728N	Wave Washer	1
29	777729N	Retaining Ring	1
30	777730N	Handle Body	1
31	777731N	Rubber Cover	1
32	777732N	Spring	1
33	777733N	"O"Ring	1
34	777734N	Valve Pin	1
35	777735N	"O"Ring	1
36	777736N	"O"Ring	1
37	777737N	Valve Bushing	1
38	777738N	Bracket	1
39	777739N	Washer	1
40	777740N	Nut	1
41	777741N	Lever	1
42	777742N	Screw	1
43	777743N	Nut	1
44	777744N	Regulator	1
45	777745N	"O"Ring	2
46	777746N	Retaining Ring	1
47	777747N	Rubber Handle Cover	1
48	777748N	Air Inlet	1

505 N. Railroad Ave.
P.O. Box 1117
Boynton Beach, Florida 33435

SEE OUR CATALOG
at
www.taylorpneumatic.com

PH. 561-732-1111
FAX 561-731-4412
Toll Free 800-805-8665

06/08 TPTCDPT
all rights reserved
copyright 2008
final