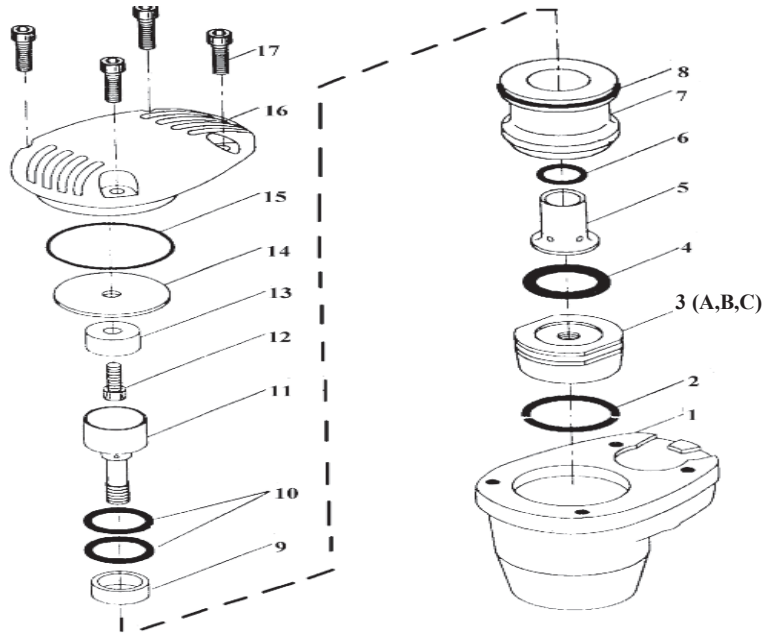


T-7781 Hammer



OILING INSTRUCTIONS:
OIL AFTER EACH USE
WITH 1/2 TO 1 TABLE-
SPOONS OF AIRTOOL
OIL THROUGH THE AIR
INLET. RUN FOR ONE
SECOND TO COAT ALL
INTERNAL PARTS.

USE 90 PSI MAXIMUM

Ref.#	Part #	Description	Qty.
1	778101	Housing	1
2	778102	"O" Ring	1
3A	778103A	Hammer Tip Hard Plastic	1
3B	778103B	Hammer Tip Aluminium	1
3C	778103C	Hammer Tip Steel	1
4	778104	Stroke Control Spacer	1
5	778105	Sleeve	1
6	778106	"O" Ring	1
7	778107	Valve	1

Ref.#	Part #	Description	Qty.
8	778108	"O" Ring	1
9	778109	Bumper	1
10	778110	"O" Ring	2
11	778111	Stem	1
12	778112	Screw	1
13	778113	Plug	1
14	778114	Exhaust Seat	1
15	778115	"O" Ring	1
16	778116	Cap	1
17	778117	Screw	4
18	778118	4 mm Hex Wrench (not shown)	1
19	778119	1/4" Hex Wrench (not shown)	1

505 N. Railroad Ave.
 P.O. Box 1117
 Boynton Beach, Florida 33435

SEE OUR CATALOG
 at
www.taylorpneumatic.com

PH. 561-732-1111
 FAX 561-731-4412
 Toll Free 800-805-8665

10/07 TPTCDPT
 all rights reserved
 COPYRIGHT 2007
 Final