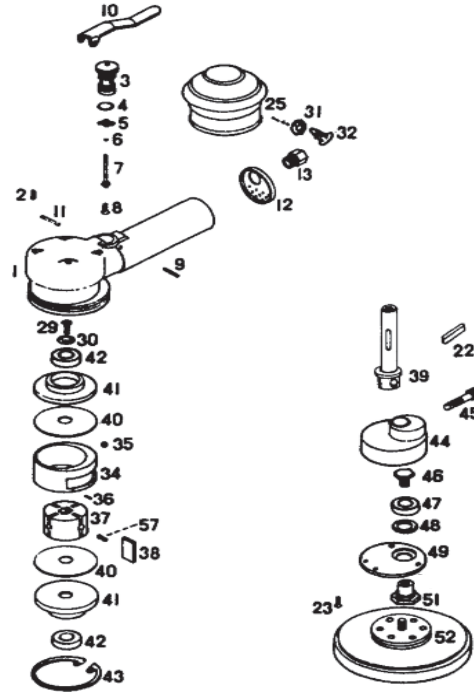


# T-7785 HD 5" DA Sander T-7786 HD 6" DA Sander



**OILING INSTRUCTIONS:**

**OIL AFTER EACH USE WITH 1 OR 2 TABLESPOONS OF AIRTOOL OIL THROUGH THE AIR INLET. RUN FOR ONE SECOND TO COAT ALL INTERNAL PARTS.**

**DO NOT USE SOLVENTS OR LACQUER THINNER ON PAD (T-7416 or T-7415) AS IT WILL CAUSE DELAMINATION.**

**USE 90 PSI MAXIMUM**

Ref.#	Part #	Description	Qty.
1	778601	Body	1
2	778602	Screw	4
3	778603	Valve Seat	1
4	778604	"O" Ring	2
5	778605	Wave Washer	1
6	778606	"O" Ring	1
7	778607	Valve	1
8	778608	Spring	1
9	778609	Pin	1
10	778610	Lever	1
11	778611	Pin	1
12	778612	Deflector	1
13	778613	Air Inlet	1
22	778622	Key	1
23	778623	Screw	3
25	778625	Cover	1
29	778629	Screw	1
30	778630	Washer	1
34	778634	Cylinder	1

Ref.#	Part #	Description	Qty.
35	778635	"O" Ring	1
36	778636	Spring Pin	1
37	778637	Rotor	1
38	778638	Rotor Blade (4)	1 set
39	778639	Shaft	1
40	778640	Side Plate	2
41	778641	Bearing Plate	2
42	778642	Bearing	2
43	778643	Snap Ring	1
44	778644	Balancer	1
45	778645	Screw	1
46	778646	Bolt	1
47	778647	Bearing	1
48	778648	Flat Ring	1
49	778649	Retaining Plate	1
51	778651	Spindle	1
52	T-7416	6" PSA Pad	1
52	T-7415	5" PSA Pad	1
57	778657	Vane Spring	4
	778658	Wrench (not shown)	1
	778699	Complete Head (not shown, includes) #44,46,47,48,49,50,51	

505 N. Railroad Ave.  
P.O. Box 1117  
Boynton Beach, Florida 33435

**SEE OUR CATALOG**  
at  
[www.taylorpneumatic.com](http://www.taylorpneumatic.com)

PH. 561-732-1111  
FAX 561-731-4412  
Toll Free 800-805-8665

10/07 TPTCDPT  
all rights reserved  
COPYRIGHT 2007  
final