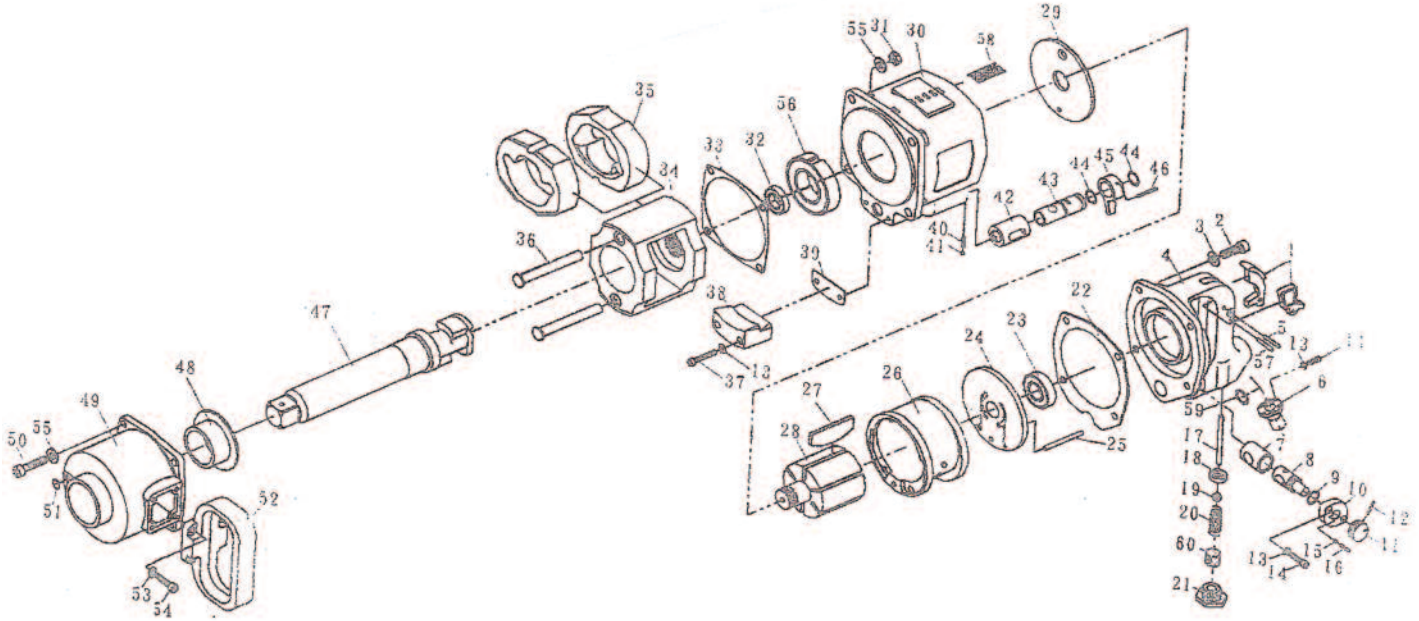


T-7798L 1-1/2" Impact Wrench
T-7798L-6 1-1/2" Impact Wrench
w/ Ext. Anvil



USE 90 PSI MAXIMUM

Ref.#	Part #	Description	Qty.
1	7798L01	Internal Trigger	1
2	02	Bolt	4
3	03	Washer	4
4	04	D Handle	1
5	05	Pin	1
6	06	Inlet	1
7	07	Regulator Bushing	1
8	08	Regulator Stem	1
9	09	"O" Ring	1
10	10	Regulator Cap	1
11	11	Regulator Knob	1
12	12	Pin	1
13	13	Washer	8
14	14	Screw	6
15	15	Ball	1
16	16	Spring	1
17	17	Throttle Valve Stem	1
18	18	Valve Washer	1
19	19	Steel Ball	1
20	20	Spring	1
21	21	Air Inlet	1
22	22	Gasket	1
23	23	Bearing	1
24	24	Back End Plate	1
25	25	Pin	1
25	26	Cylinder	1
27	27	Vane (6 pieces per set)	1 set
28	28	Rotor	1
29	29	Front End Plate	1
30	30	Motor Housing	1

Ref.#	Part #	Description	Qty.
31	7798L31	Nut	4
32	32	Bearing	1
33	33	Gasket	1
34	34	Hammer Frame Cage	1
35	35	Hammer	2
36	36	Hammer Pin	2
37	37	Screw	2
38	38	Exhaust Deflector	1
39	39	Deflector Plate	1
40	40	Spring	1
41	41	Ball	1
42	42	Throttle Bushing	1
43	43	Reverse Lever	1
44	44	"O" Ring	2
45	45	Reverse Lever	1
46	46	Pin	2
47	47	Short Anvil	1
47A	47A	Long Anvil	1
48	48	Bushing	1
49	49	Hammer Case	1
50	50	Screw	4
51	51	Screw	1
52	52	Side Handle	1
53	53	Spring Washer	4
54	54	Screw	4
55	55	Washer	8
56	56	Bearing	1
57	57	Pin	1
58	58	Exhaust Screen	1
59	59	"O" Ring	1
60	60	Air Inlet Screen	1

505 N. Railroad Ave.
P.O. Box 1117
Boynton Beach, Florida 33435

SEE OUR CATALOG
at
www.taylorpneumatic.com

PH. 561-732-1111
FAX 561-731-4412
Toll Free 800-805-8665

06/08 TPTCDPT
all rights reserved
COPYRIGHT 2008
final