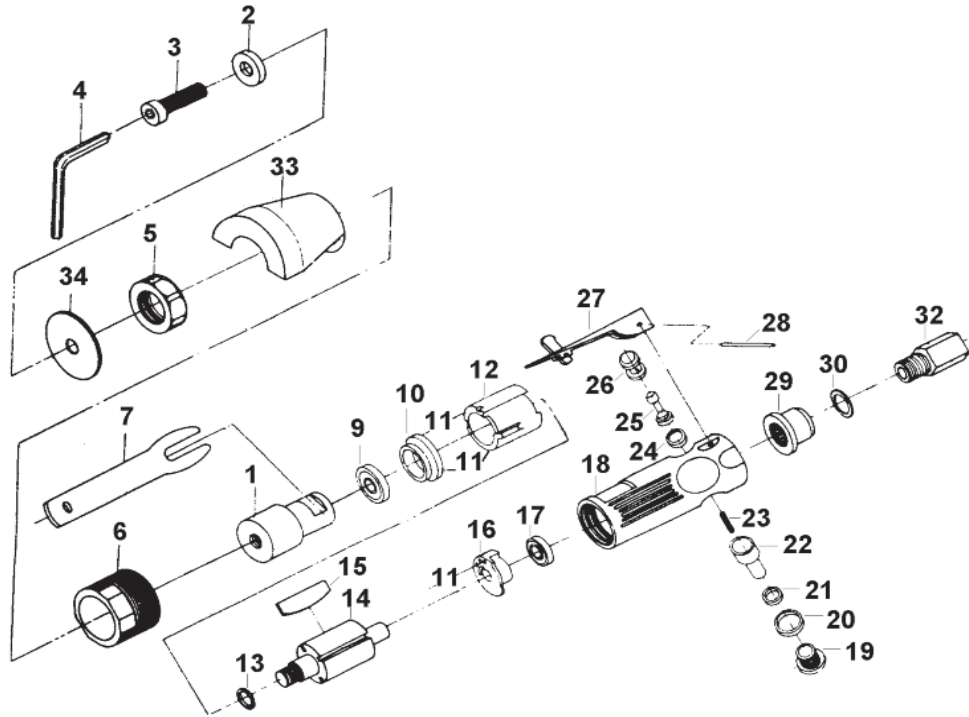


T-7801

3" Cut-off Tool



OILING INSTRUCTIONS:

OIL AFTER EACH USE WITH 1 OR 2 TABLESPOONS OF AIRTOOL OIL THROUGH THE AIR INLET. RUN FOR ONE SECOND TO COAT ALL INTERNAL PARTS.

Ref.#	Part #	Description	Qty.
1	780101N	Collet	1
2	780102N	Spacer	1
3	780103N	Hex Screw	1
4	780104N	Allen Wrench	1
5	780105N	Nut	1
6	780106N	Retainer	1
7	780107N	Wrench	1
9	780109N	Bearing	1
10	780110N	Front End Plate	1
11	780111N	Ball	3
12	780112N	Cylinder	1
13	780113N	Bearing Spacer	1
14	780114N	Rotor	1
15	780115N	Rotor Blade (4 per set)	1 set
16	780116N	Rear Plate	1
17	780117N	Bearing	1

Ref.#	Part #	Description	Qty.
18	780118N	Motor Housing	1
19	780119N	Valve Screw	1
20	780120N	"O" Ring	1
21	780121N	"O" Ring	1
22	780122N	Air Regulator	1
23	780123N	Spring	1
24	780124N	"O" Ring	1
25	780125N	Throttle Valve	1
26	780126N	Valve Bushing	1
27	780127N	Throttle Lever	1
28	780128N	Throttle Lever Pin	1
29	780129N	Exhaust Deflector	1
30	780130N	"O" Ring	1
32	780132N	Inlet Bushing	1
33	780133N	Metal Guard	1
34	T-7801341	Cutoff Wheel 3" x 1/16" x 3/8"	1
	T-780134	Cutoff Wheel-box of 50 3" x 1/16" x 3/8" (OPTIONAL)	50

505 N. Railroad Ave.
P.O. Box 1117
Boynton Beach, Florida 33435

SEE OUR CATALOG
at
www.taylorpneumatic.com

PH. 561-732-1111
FAX 561-731-4412
Toll Free 800-805-8665

06/09 TPTCDPT
all rights reserved
COPYRIGHT 2009
final