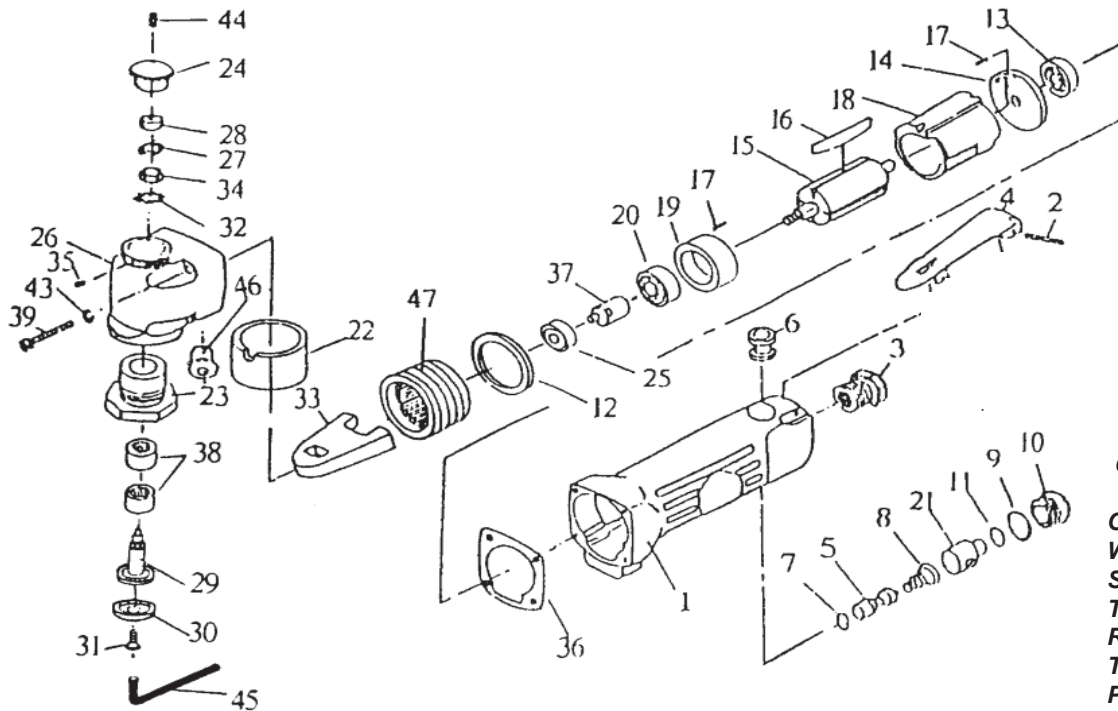


T-7838B Economy Sealant Cutter



OILING INSTRUCTIONS:

OIL AFTER EACH USE WITH 1 OR 2 TABLE-SPOONS OF AIRTOOL OIL THROUGH THE AIR INLET. RUN FOR ONE SECOND TO COAT ALL INTERNAL PARTS.

USE 90 PSI MAXIMUM

Ref.#	Part #	Description	Qty.
1	7838B01	Motor Housing	1
2	7838B02	Pin	1
3	7838B03	Air Inlet	1
4	7838B04	Throttle Lever Assembly	1
5	7838B05	Valve Stem	1
6	7838B06	Bushing	1
7	7838B07	"O" Ring	1
8	7838B08	Valve Spring	1
9	7838B09	"O" Ring	1
10	7838B10	Throttle Valve Plug	1
11	7838B11	"O" Ring	1
12	7838B12	Washer	1
13	7838B13	Bearing	1
14	7838B14	Rear End Plate	1
15	7838B15	Rotor	1
16	7838B16	Rotor Blades (4 per set)	1 set
17	7838B17	Pin	2
18	7838B18	Cylinder	1
19	7838B19	Front End Plate	1
20	7838B20	Bearing	1
21	7838B21	Air Regulator	1
22	7838B22	Spacer	1
23	7838B23	Clamp Nut	1
24	7838B24	Back Cover	1

Ref.#	Part #	Description	Qty.
25	7838B25	Bearing	1
26	7838B26	Head	1
27	7838B27	Retainer Ring	1
28	7838B28	Bearing	1
29	7838B29	Work Spindle	1
30	7838B30	Washer	1
31	7838B31	Screw	1
32	7838B32	Lock Washer	1
33	7838B33	Oscillator	1
34	7838B34	Nut	1
35	7838B35	Set Screw	1
36	7838B36	Gasket	1
37	7838B37	Crank Shaft	1
38	7838B38	Needle Bearing	2
39	7838B39	Cap Screw	4
43	7838B43	Spring Washer	4
44	7838B44	Set Screw	1
45	7838B45	Hex Key Wrench	1
46	7838B46	Grease Fitting	1
47	7838B47	Retainer	1

505 N. Railroad Ave.

P.O. Box 1117

Boynton Beach, Florida 33435

SEE OUR CATALOG

at

www.taylorpneumatic.com

PH. 561-732-1111

FAX 561-731-4412

Toll Free 800-805-8665

08/09 TPTCDPT
all rights reserved
COPYRIGHT 2009
final