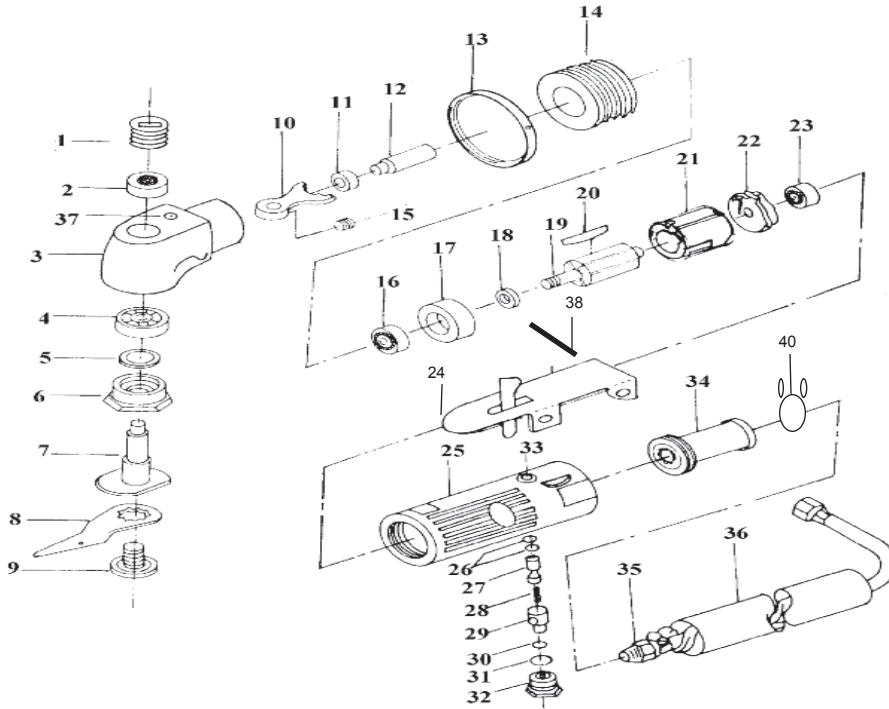
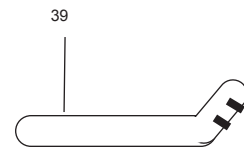


T-7838D Windshield Removal Tool



OILING INSTRUCTIONS:

OIL AFTER EACH USE WITH 1 OR 2 TABLESPOONS OF AIRTOOL OIL THROUGH THE AIR INLET. RUN FOR ONE SECOND TO COAT ALL INTERNAL PARTS.



USE 90 PSI MAXIMUM

Ref.#	Part #	Description	Qty.
1	7838D01	Plug	1
2	7838D02	Bearing	1
3	7838D03	Head	1
4	7838D04	Bearing	1
5	7838D05	Oil Seal	1
6	7838D06	Nut Clamp	1
7	7838D07	Spindle Drive	1
8	T-783851	2-1/2" Offset Blade	1
9	7838D09	Retainer Screw	1
10	7838D10	Fork Drive	1
11	7838D11	Bearing	1
12	7838D12	Crank Shaft	1
13	7838D13	Nut	1
14	7838D14	Retainer	1
15	7838D15	Set Screw	1
16	7838D16	Bearing	1
17	7838D17	Front Plate	1
18	7838D18	Stop Ring	1
19	7838D19	Rotor	1

Ref.#	Part #	Description	Qty.
20	7838D20	Rotor Blade (4 per set)	1 set
21	7838D21	Cylinder	1
22	7838D22	End Plate	1
23	7838D23	Bearing	1
24	7838D24	Throttle Lever	1
25	7838D25	Housing	1
26	7838D26	"O" Ring	2
27	7838D27	Valve Stem	1
28	7838D28	Valve Spring	1
29	7838D29	Air Regulator	1
30	7838D30	"O" Ring	1
31	7838D31	"O" Ring	1
32	7838D32	Throttle Valve Plug	1
33	7838D33	Valve Bushing	1
34	7838D34	Throttle Arbor	1
35	7838D35	Air Hose Ass'y	1
36	7838D36	Exhaust Hose	1
37	7838D37	Oil Cover	1
38	7838D38	Roll Pin	1
39	7838D39	Spanner Wrench	1
40	7838D40	Hose Clamp	1

505 N. Railroad Ave.
P.O. Box 1117
Boynton Beach, Florida 33435

SEE OUR CATALOG
at
www.taylorpneumatic.com

PH. 561-732-1111
FAX 561-731-4412
Toll Free 800-805-8665

07/09 TPTCDPT
all rights reserved
COPYRIGHT 2009
final