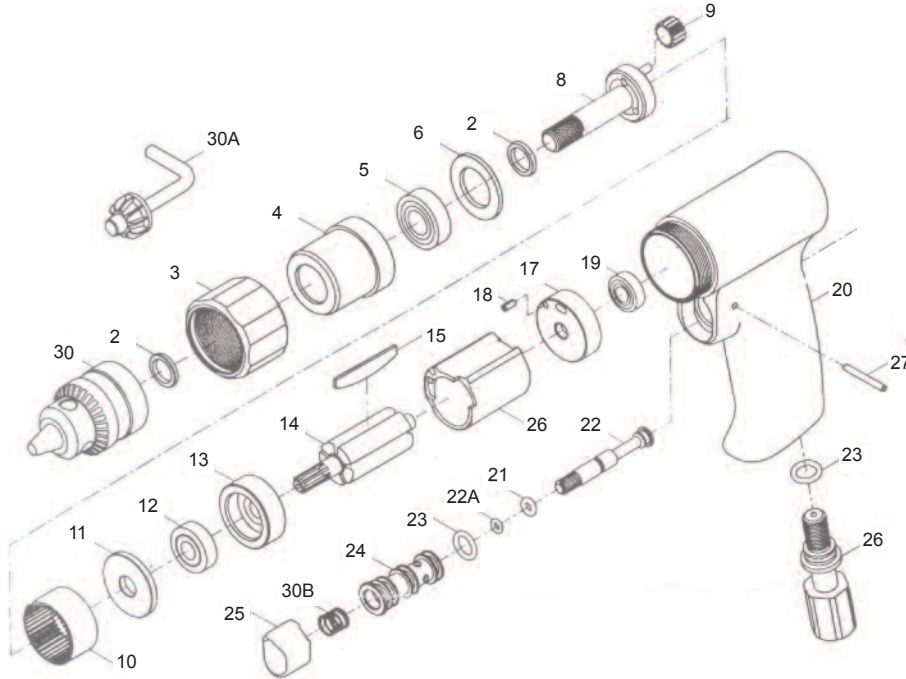


T-7888, T-78881B, T-7888KC, T-7888MK 1/4" Palm Drills



OILING INSTRUCTIONS:

OIL AFTER EACH USE WITH 1 OR 2 TABLESPOONS OF AIRTOOL OIL THROUGH THE AIR INLET. RUN FOR ONE SECOND TO COAT ALL INTERNAL PARTS.

USE 90 PSI MAXIMUM

Ref.#	Part #	Description	Qty.
2	788802N	Spacer	2
3	788803N	Clamp Nut	1
4	788804N	Bearing Housing	1
5	788805N	Bearing	3
6	788806N	Washer	1
8	788808N	Carrier	1
9	788809N	Planet Gear	3
10	788810N	Internal Gear	1
11	788811N	Washer	1
12	788812N	Bearing	1
13	788813N	Front End Plate	1
14	788814N	Rotor	1
15	788815N	Vane (5 per set)	1set
16	788816N	Cylinder	1
17	788817N	Rear End Plate	1
18	788818N	Roll Pin	1
19	788819N	Bearing	1
20	788820N	Handle	1

Ref.#	Part #	Description	Qty.
21	788821N	O-Ring	1
22	788822N	Valve Stem	1
22A	788822AN	O-Ring	1
23	788823N	O-Ring	2
24	788824N	Valve Bushing	1
25	788825N	Button	1
26	788826N	Inlet Bushing	1
27	788827	Pin	1
30	7888-A	1/4" Jacobs Chuck	1
30A	7888-B	Chuck Key	1
30	T-9888-KC	1/4" Keyless Chuck	
30	T-7888-SPA	Jacobs 1B Chuck	
30A	T-7888-SPB	Key for 1B Chuck	
30	9888-MKC	Metal Keyless Chuck	
30B	788830B	Spring	1

505 N. Railroad Ave.
P.O. Box 1117
Boynton Beach, Florida 33435

SEE OUR CATALOG
at
www.taylorpneumatic.com

PH. 561-732-1111
FAX 561-731-4412
Toll Free 800-805-8665

06/2013 TPTCDPT
all rights reserved
COPYRIGHT 2013