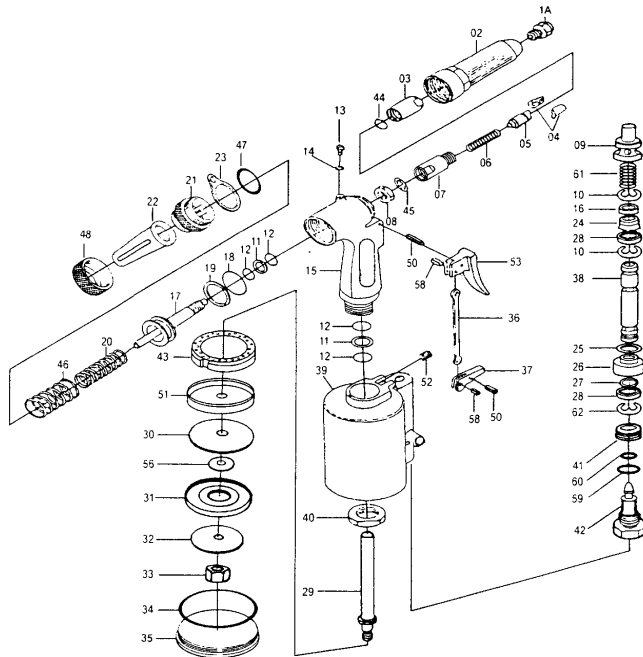


T-7892

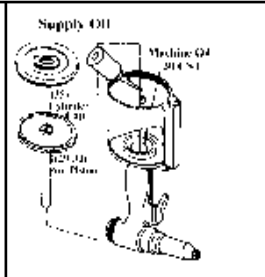
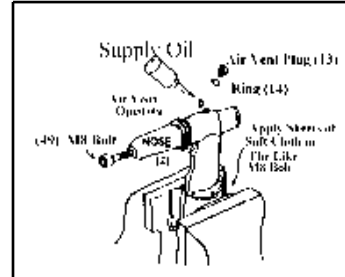
1/4" Heavy Duty Riveter

Taylor
Pneumatic Tool Company



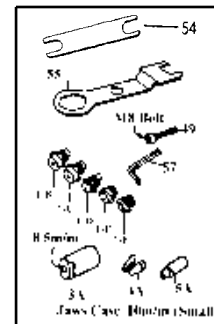
USE 90 PSI MAXIMUM

Oiling Procedures

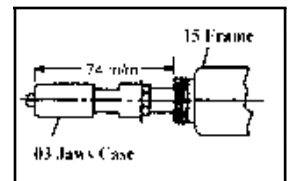


* Preferred method, see Oiling Instructions

Auxiliary Parts (Included)



Adjusting Length



| Ref.# | Part # | Description | Qty. | Ref.# | Part # | Description | Qty. |
|-------|----------|--------------------------|------|-------|---------|---------------------|------|
| 1A | 789201AN | 1/4" Nosepiece | 1 | 28 | 789228N | Ring Seal Washer | 1 |
| 1B | 789201BN | 7/32" Nosepiece | 1 | 29 | 789229N | Piston Rod | 1 |
| 1C | 789201CN | 3/16" Nosepiece | 1 | 30 | 789230N | Washer | 1 |
| 1D | 789201DN | 5/32" Nosepiece | 1 | 31 | 789231N | Cup Packing | 1 |
| 1E | 789201EN | 1/8" Nosepiece | 1 | 32 | 789232N | Packing Washer | 1 |
| 1F | 789201FN | 3/32" Nosepiece | 1 | 33 | 789233N | Lock Nut | 1 |
| 2 | 789202N | Frame Head | 1 | 34 | 789234N | "O" Ring | 1 |
| 3 | 789203N | Jaw Case (3/16"-1/4") | 1 | 35 | 789235N | Cylinder Cap | 1 |
| 3A | 789203AN | Jaw Case (3/32"-5/32") | 1 | 36 | 789236N | Trigger Rod | 1 |
| 4 | 789204N | Jaws (3/16"-1/4") | 2 | 37 | 789237N | Trigger Lever | 1 |
| 4A | 789204AN | Jaws (3/32"-5/32") | 2 | 38 | 789238N | Valve Pusher | 1 |
| 5 | 789205N | Jaw Pusher (3/16"-1/4") | 1 | 39 | 789239N | Air Cylinder | 1 |
| 5A | 789205AN | Jaw Pusher (3/32"-5/32") | 1 | 40 | 789240N | Frame Locknut | 1 |
| 6 | 789206N | Jaw Case Spring | 2 | 41 | 789241N | Nut | 1 |
| 7 | 789207N | Jaw Case Back | 1 | 42 | 789242N | Joint Nut | 1 |
| 8 | 789208N | Case Lock Nut | 1 | 43 | 789243N | Rubber Cushion | 1 |
| 9 | 789209N | Valve Pusher | 1 | 44 | 789244N | Jaw Case "O" Ring | 1 |
| 10 | 789210N | "E" Ring | 3 | 45 | 789245N | Washer Ring | 1 |
| 11 | 789211N | Back Up Ring | 2 | 46 | 789246N | Return Spring | 1 |
| 12 | 789212N | "O" Ring | 4 | 47 | 789247N | Frame Cap "O" Ring | 1 |
| 13 | 789213N | Plug | 1 | 48 | 789248N | Catcher Nut | 1 |
| 14 | 789214N | Packing | 1 | 49 | 789249N | Bolt Plug | 1 |
| 15 | 789215N | Frame | 1 | 50 | 789250N | Pin | 1 |
| 16 | 789216N | Valve Ring Seal | 1 | 51 | 789251N | Rubber Cushion Seat | 1 |
| 17 | 789217N | Piston | 1 | 52 | 789252N | Screw | 3 |
| 18 | 789218N | "O" Ring | 1 | 53 | 789253N | Trigger | 1 |
| 19 | 789219N | Backup Ring | 1 | 54 | 789254N | Wrench | 1 |
| 20 | 789220N | Spring | 1 | 55 | 789255N | Wrench | 1 |
| 21 | 789221N | Frame Cap | 1 | 56 | 789256N | Piston Washer | 1 |
| 22 | 789222N | Catcher | 1 | 57 | 789257N | Hex Wrench | 1 |
| 23 | 789223N | Hanger Clip | 1 | 58 | 789258N | Trigger Pin | 2 |
| 24 | 789224N | Trigger Ring | 1 | 59 | 789259N | "O" Ring | 1 |
| 25 | 789225N | "O" Ring | 1 | 60 | 789260N | "O" Ring | 1 |
| 26 | 789226N | Valve Seal | 1 | 61 | 789261N | Valve Spring | 1 |
| 27 | 789227N | "O" Ring | 1 | 62 | 789262N | "E" Ring | 1 |

505 N. Railroad Ave.
P.O. Box 1117
Boynton Beach, Florida 33435

PH. 561-732-1111
FAX 561-731-4412
Toll Free 800-805-8665