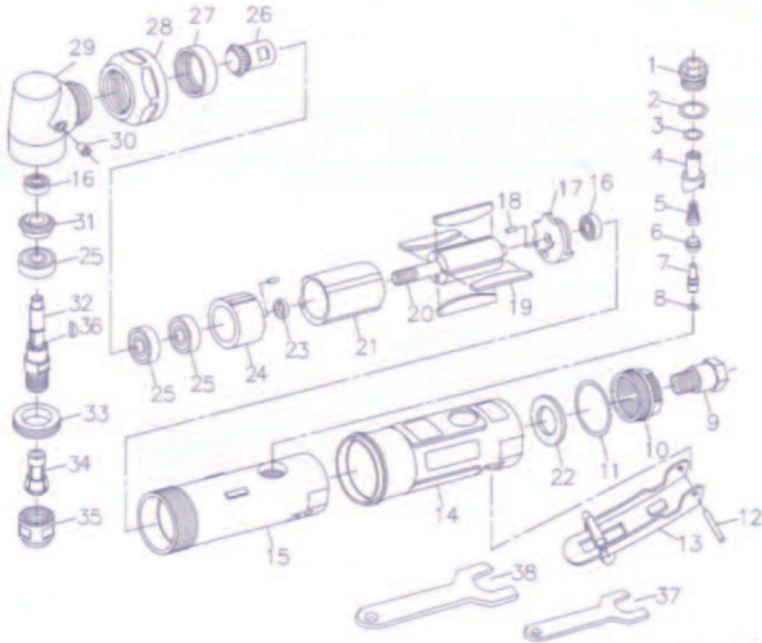


T-8759R

1/4" Air Angle Die Grinder



OILING INSTRUCTIONS:

OIL AFTER EACH USE WITH 1 OR 2 TABLE-SPOONS OF AIRTOOL OIL THROUGH THE AIR INLET. RUN FOR ONE SECOND TO COAT ALL INTERNAL PARTS.

USE 90 PSI MAXIMUM

Ref.#	Part #	Description	Qty.
1	8759R01	Screw	1
2	8759R02	"O" Ring	1
3	8759R03	"O" Ring	1
4	8759R04	Air Regulator	1
5	8759R05	Spring	1
6	8759R06	Bushing	1
7	8759R07	Valve Stem	1
8	8759R08	"O" Ring	1
9	8759R09	Air Inlet	1
10	8759R10	Exhaust Sleeve	1
11	8759R11	"O" Ring	1
12	8759R12	Pin	1
13	8759R13	Lever	1
14	8759R14	Rubber Guard	1
15	8759R15	Housing	1
16	8759R16	Bearing	2
17	8759R17N	Rear Plate	1
18	8759R18N	Pin	2

Ref.#	Part #	Description	Qty.
19	8759R19	Rotor Blade (4 to set)	1
20	8759R20	Rotor	1
21	8759R21	Cylinder	1
22	8759R22	Muffler	1
23	8759R23	Spacer	1
24	8759R24	Front End Plate	1
25	8759R25	Bearing	3
26	8759R26	Bevel Gear	1
27	8759R27	Nut	1
28	8759R28	Clamp Nut	1
29	8759R29	Angle Housing	1
30	8759R30	Oil Cup	1
31	8759R31	Bevel Gear	1
32	8759R32	Spindle	1
33	8759R33	Clamp Nut	1
34	T-7504	1/4" Collet	1
34	T-7508	1/8" Collet (optional)	1
35	8759R35	Collet Nut	1
37	8759R38	Wrench 14mm	1
38	8759R39	Wrench 19mm	1

505 N. Railroad Ave.
P.O. Box 1117
Boynton Beach, Florida 33435

SEE OUR CATALOG
at
www.taylorpneumatic.com

PH. 561-732-1111
FAX 561-731-4412
Toll Free 800-805-8665

05/07 TPTCDPT
all rights reserved
COPYRIGHT 2007