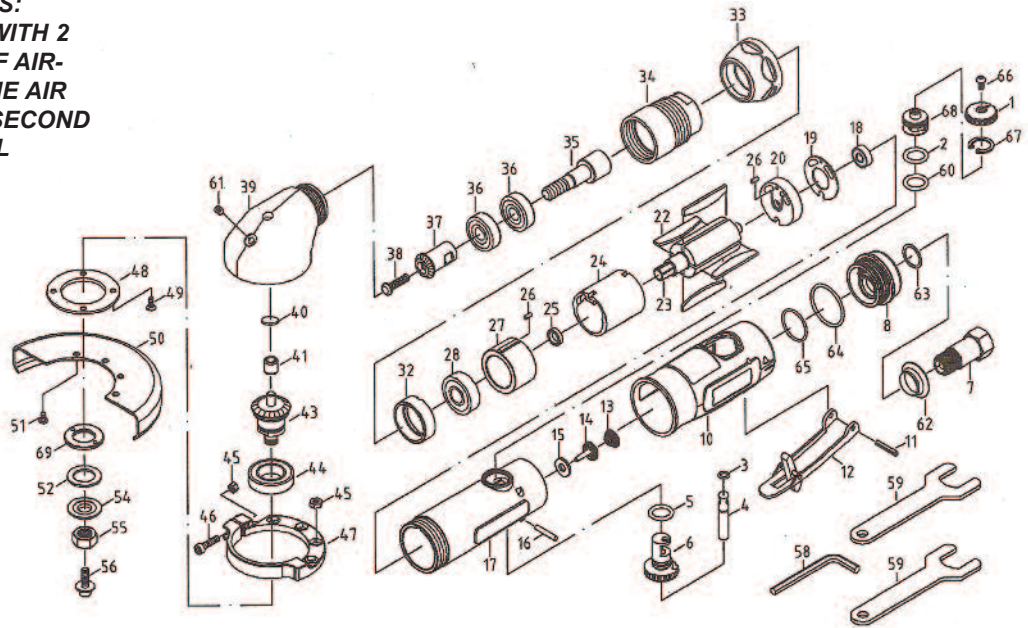


T-8801R 4" REVERSIBLE ANGLE CUTOFF TOOL



OILING INSTRUCTIONS:
OIL AFTER EACH USE WITH 2
OR 3 TABLESPOONS OF AIR-
TOOL OIL THROUGH THE AIR
INLET. RUN FOR ONE SECOND
TO COAT ALL INTERNAL



Always use the #55 nut to secure the wheel to the tool. The #56 screw (M5-12) must also be used because the tool is reversible.

USE 90 PSI MAXIMUM

Ref.#	Part #	Description	Qty.
1	8801R01	FWD/REV Knob	1
2	8801R02	O-ring	1
3	8801R03	O-ring	1
4	8801R04	Valve Stem	1
5	8801R05	O-ring	1
6	8801R06	Regulator	1
7	8801R07	Air Inlet	1
8	8801R08	Muffler	1
10	8801R10	Cover	1
11	8801R11	Pin	1
12	8801R12	Lever	1
13	8801R13	Spring	1
14	8801R14	Valve	1
15	8801R15	Valve Seat	1
16	8801R16	Pin	1
17	8801R17	Housing	1
18	8801R18	Bearing	1
19	8801R19	Gasket	1
20	8801R20	Rear End Plate	1
22	8801R22	Rotor Blade(4 per set)	1 set
23	8801R23	Rotor	1
24	8801R24	Cylinder	1
25	8801R25	Spacer	1
26	8801R26	Pin	2
27	8801R27	Front End Plate	1
28	8801R28	Bearing	1
32	8801R32	Nut	1
33	8801R33	Clamp Nut	1
34	8801R34	Front Housing	1
35	8801R35	Drive Shaft	1
36	8801R36	Bearing	2

Ref.#	Part #	Description	Qty.
37	8801R37	Gear	1
38	8801R38	Screw	1
39	8801R39	Angle Housing	1
40	8801R40	Shield	1
41	8801R41	Bearing	1
43	8801R43	Arbor Gear	1
44	8801R44	Bearing	1
45	8801R45	Nut	5
46	8801R46	Screw	1
47	8801R47	Clamp	1
48	8801R48	Ring	1
49	8801R49	Screw	4
50	8801R50	Guard	1
51	8801R51	Screw	4
52	8801R52	Washer	1
54	8801R54	Washer	1
55	8801R55	Nut	1
56	8801R56	Screw	1
58	8801R58	Allen Wrench (4mm)	1
59	8801R59	Open End Wrench(17mm)	2
60	8801R60	O-ring	1
61	8801R61	Grease Fitting	1
62	8801R62	Muffler	1
63	8801R63	Washer	1
64	8801R64	O-ring	1
65	8801R65	O-ring	1
66	8801R66	Screw	1
67	8801R67	Snap Ring	1
68	8801R68	FWD/REV Valve	1
69	8801R69	Nut	1
70	9801341	4"Cutoff Wheel(not shown)	2

505 N. Railroad Ave.
P.O. Box 1117
Boynton Beach, Florida 33435

SEE OUR CATALOG
at
www.taylorpneumatic.com

PH. 561-732-1111
FAX 561-731-4412
Toll Free 800-805-8665

10/10 TPTCDPT
all rights reserved
COPYRIGHT 2010
final