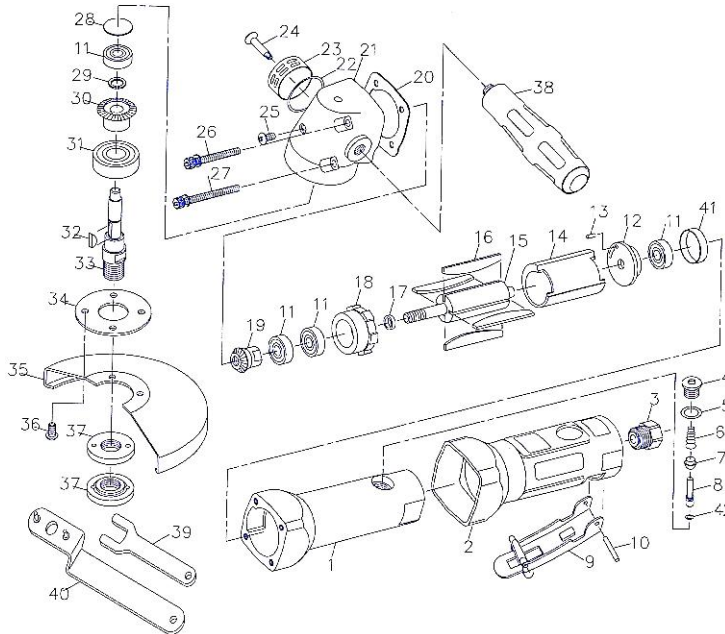


# T-8815 5" Angle Grinder

**Taylor**  
Pneumatic Tool Company



## OILING INSTRUCTIONS:

**OIL AFTER EACH USE  
WITH 1 OR 2 TABLE-  
SPOONS OF AIRTOOL OIL  
THROUGH THE AIR INLET.  
RUN FOR ONE SECOND  
TO COAT ALL INTERNAL  
PARTS.**

## USE 90 PSI MAXIMUM

Ref.#	Part #	Description	Qty.
1	881501N	Housing	1
2	881502N	Protective Grip	1
3	881503N	Air Inlet	1
4	881504N	Screw	1
5	881505N	"O"Ring	1
6	881506N	Spring	1
7	881507N	Bushing	1
8	881508N	Valve Stem	1
9	881509N	Lever	1
10	881510N	Pin	1
11	881511N	Bearing	1
12	881512N	Rear End Plate	1
13	881513N	Pin	1
14	881514N	Cylinder	1
15	881515N	Rotor	1
16	881516N	Rotor Blade (4pc per set)	1 set
17	881517N	Bearing Spacer	1
18	881518N	Front End Plate	1
19	881519N	Bevel Gear	1
20	881520N	Gasket	1
21	881521N	Angle Housing	1
22	881522N	"O"Ring	1
23	881523N	Exhaust Sleeve	1
24	881524N	Screw	1

Ref.#	Part #	Description	Qty.
25	881525N	Screw	1
26	881526N	Screw	2
27	881527N	Screw	2
28	881528N	Bearing Shield	1
29	881529N	Retaining Ring	1
30	881530N	Bevel Gear	1
31	881531N	Bearing	1
32	881532N	Woodruff Key	1
33	881533N	Spindle	1
34	881534N	Face Plate	1
35	881535N	Guard	1
36	881536N	Screw	4
37	881537N	Disk Nut	2
38	881538N	Handle	1
39	881539N	Wrench	1
40	881540N	Spanner Wrench	1
41	881541N	Ring	1
42	881542N	"O"Ring	1

505 N. Railroad Ave.  
P.O. Box 1117  
Boynton Beach, Florida 33435

**SEE OUR CATALOG**  
at

[www.taylorpneumatic.com](http://www.taylorpneumatic.com)

PH. 561-732-1111

FAX 561-731-4412

Toll Free 800-805-8665

3/08TPTCDPT  
all rights reserved  
COPYRIGHT 2008  
final