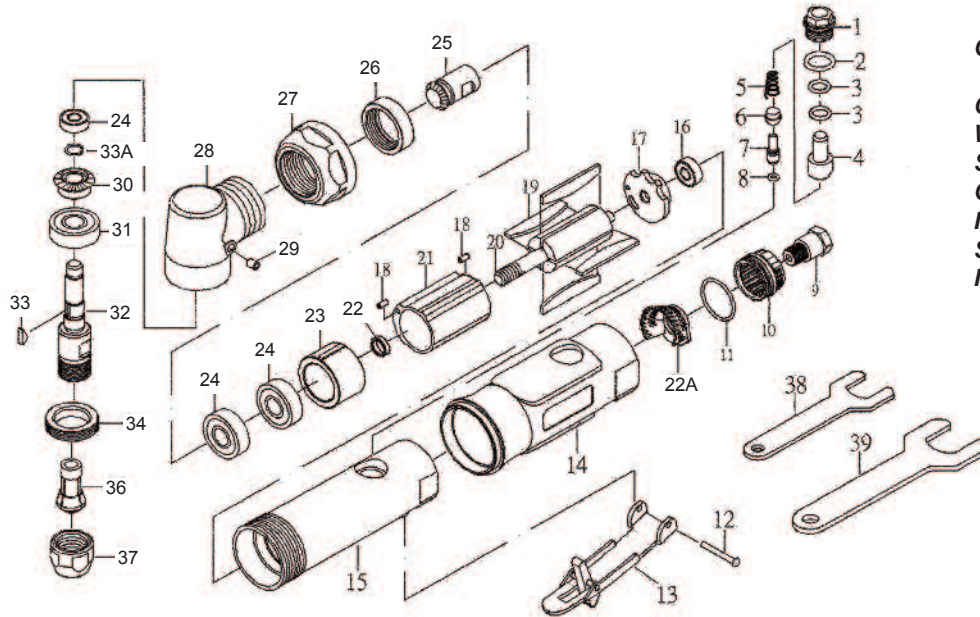


T-8859R

1/4" Air Angle Die Grinder



OILING INSTRUCTIONS:

OIL AFTER EACH USE WITH 1 OR 2 TABLE-SPOONS OF AIRTOOL OIL THROUGH THE AIR INLET. RUN FOR ONE SECOND TO COAT ALL INTERNAL PARTS.

USE 90 PSI MAXIMUM

Ref.#	Part #	Description	Qty.
1	8859R01	Screw	1
2	8859R02	"O" Ring	1
3	8859R03	"O" Ring	1
4	8859R04	Air Regulator	1
5	8859R05	Spring	1
6	8859R06	Bushing	1
7	8859R07	Valve Stem	1
8	8859R08	"O" Ring	1
9	8859R09	Air Inlet	1
10	8859R10	Exhaust Sleeve	1
11	8859R11	"O" Ring	1
12	8859R12	Pin	1
13	8859R13	Lever	1
14	8859R14	Rubber Guard	1
15	8859R15	Housing	1
16	8859R16	Bearing	1
17	8859R17N	Rear Plate	1
18	8859R18N	Pin	2

Ref.#	Part #	Description	Qty.
19	8859R19	Rotor Blade (4 per set)	1 set
20	8859R20	Rotor	1
21	8859R21N	Cylinder	1
22	8859R22	Bearing Spacer	1
22A	8859R22A	Cone Muffler	1
23	8859R23N	Front Plate	1
24	8859R24	Bearing	3
25	8859R25N	Bevel Gear	1
26	8859R26	Nut	1
27	8859R27	Clamp Nut	1
28	8859R28	Angle Housing	1
29	8859R29	Oil Cup	1
30	8859R30N	Bevel Gear	1
31	8859R31	Bearing	1
32	8859R32N	Shaft - 2mm key	1
33	8859R33N	2mm Key	1
33A	8859R33A	Snap Ring	1
34	8859R34	Clamp Nut	1
36	T-7504	1/4" Collet	1
36A	T-7508	1/8" Collet (optional)	
37	8859R37	Collet Nut	1
38	8859R38	Wrench 14mm	1
39	8859R39	Wrench 19mm	1

505 N. Railroad Ave.
P.O. Box 1117
Boynton Beach, Florida 33435

SEE OUR CATALOG
at
www.taylorpneumatic.com

PH. 561-732-1111
FAX 561-731-4412
Toll Free 800-805-8665

03/12 TPTCDPT
all rights reserved
COPYRIGHT 2012
final