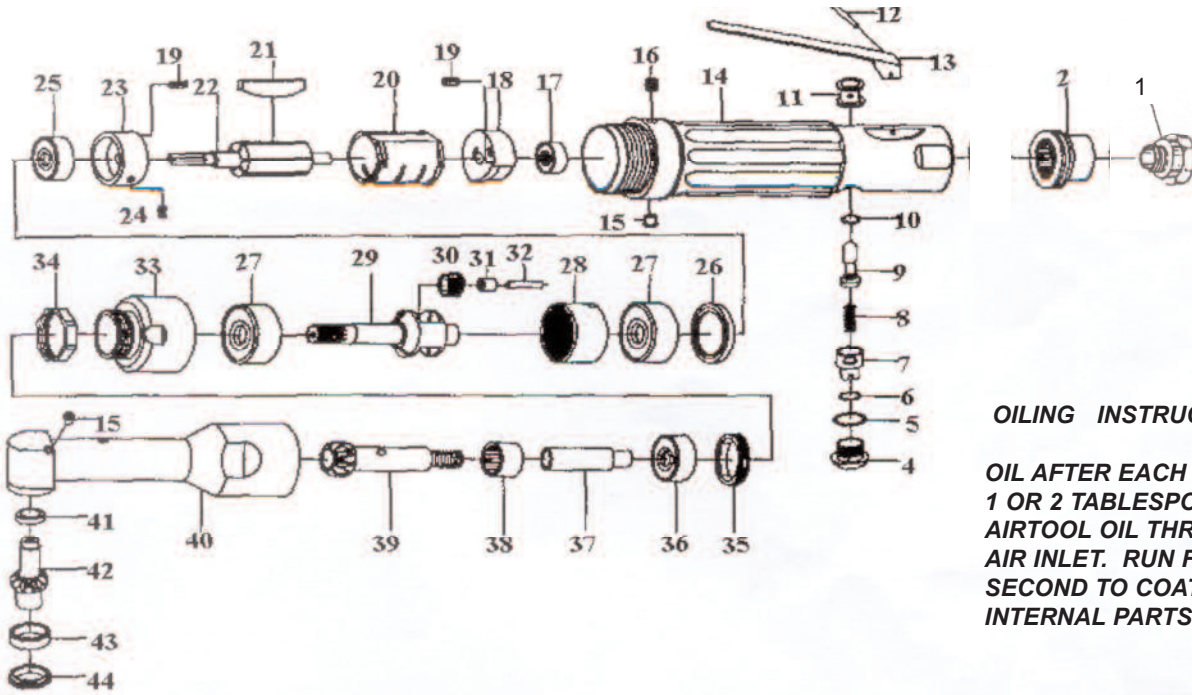


T-9750 T-9750EX 90 Degree Angle Drill



OILING INSTRUCTIONS:

OIL AFTER EACH USE WITH 1 OR 2 TABLESPOONS OF AIRTOOL OIL THROUGH THE AIR INLET. RUN FOR ONE SECOND TO COAT ALL INTERNAL PARTS.

USE 90 PSI MAXIMUM

| Ref.# | Part # | Description | Qty. |
|-------|--------|----------------|------|
| 1 | 975001 | Air Inlet | 1 |
| 2 | 975002 | Muffler | 1 |
| 4 | 975004 | Plug | 1 |
| 5 | 975005 | "O" Ring | 1 |
| 6 | 975006 | "O" Ring | 1 |
| 7 | 975007 | Regulator | 1 |
| 8 | 975008 | Spring | 1 |
| 9 | 975009 | Valve Stem | 1 |
| 10 | 975010 | "O" Ring | 1 |
| 11 | 975011 | Valve Bushing | 1 |
| 12 | 975012 | Pin | 1 |
| 13 | 975013 | Throttle Lever | 1 |
| 14 | 975014 | Motor Housing | 1 |
| 15 | 975015 | Grease Fitting | 1 |
| 16 | 975016 | Set Screw | 2 |
| 17 | 975017 | Bearing | 1 |
| 18 | 975018 | Rear End Plate | 1 |
| 19 | 975019 | Pin | 1 |
| 20 | 975020 | Cylinder | 2 |
| 21 | 975021 | Vanes | 1 |
| 22 | 975022 | Rotor | 5 |
| | | | 1 |

| Ref.# | Part # | Description | Qty. |
|-------|----------|------------------------|------|
| 23 | 975023 | Front End Plate | 1 |
| 24 | 975024 | Pin | 1 |
| 25 | 975025 | Bearing | 1 |
| 26 | 975026 | Spacer | 1 |
| 27 | 975027 | Bearing | 2 |
| 28 | 975028 | Ring Gear | 1 |
| 29 | 975029 | Carrier | 1 |
| 30 | 975030 | Idler Gear | 2 |
| 31 | 975031 | Bearing | 2 |
| 32 | 975032 | Pin | 2 |
| 33 | 975033 | Adapter | 1 |
| 34 | 975034 | Lock Ring | 1 |
| 35 | 975035 | Lock Ring | 1 |
| 36 | 975036 | Bearing | 1 |
| 37 | 975037 | Adapter | 1 |
| 37 | 975037EX | Extended Adapter | 1 |
| 38 | 975038 | Bearing | 1 |
| 39 | 975039 | Bevel | 1 |
| 40 | 975040 | Angle Housing | 1 |
| 40 | 975040EX | Extended Angle Housing | 1 |
| 41 | 975041 | Bearing | 1 |
| 42 | 975042 | Geared Spindle | 1 |
| 43 | 975043 | Bearing | 1 |
| 44 | 975044 | Lock Ring | 1 |

505 N. Railroad Ave.
P.O. Box 1117
Boynton Beach, Florida 33435

SEE OUR CATALOG
at
www.taylorpneumatic.com

PH. 561-732-1111
FAX 561-731-4412
Toll Free 800-805-8665

01/07 TPTCDPT
all rights reserved
COPYRIGHT 2006