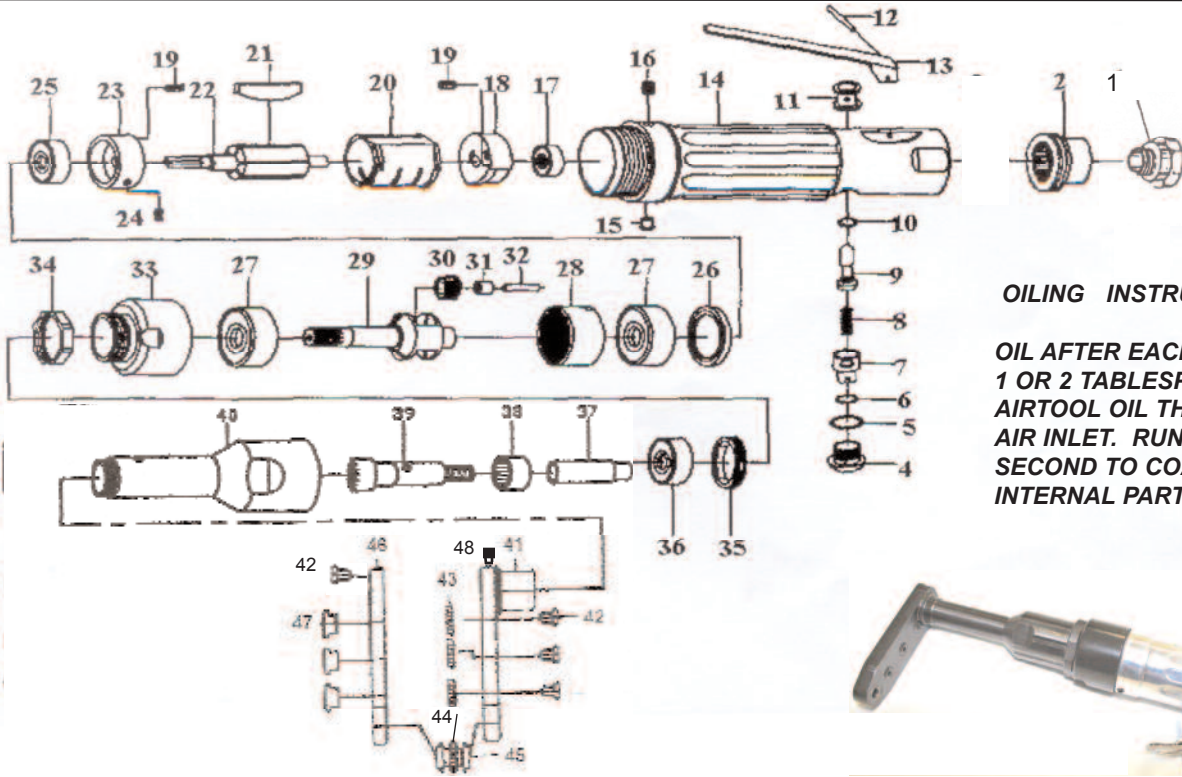


T-9754 Pancake Threaded Drill (1/4 -28)



OILING INSTRUCTIONS:

OIL AFTER EACH USE WITH 1 OR 2 TABLESPOONS OF AIRTOOL OIL THROUGH THE AIR INLET. RUN FOR ONE SECOND TO COAT ALL INTERNAL PARTS.



USE 90 PSI MAXIMUM

Ref.#	Part #	Description	Qty.
1	975001	Air Inlet	1
2	975002	Muffler	1
4	975004	Plug	1
5	975005	"O" Ring	1
6	975006	"O" Ring	1
7	975007	Regulator	1
8	975008	Spring	1
9	975009	Valve Stem	1
10	975010	"O" Ring	1
11	975011	Valve Bushing	1
12	975012	Pin	1
13	975013	Throttle Lever	1
14	975014	Motor Housing	1
15	975015	Grease Fitting	2
16	975016	Set Screw	1
17	975017	Bearing	1
18	975018	Rear End Plate	1
19	975019	Pin	2
20	975020	Cylinder	1
21	975021	Vanes	5
22	975022	Rotor	1

Ref.#	Part #	Description	Qty.
23	975023	Front End Plate	1
24	975024	Pin	1
25	975025	Bearing	1
26	975026	Spacer	1
27	975027	Bearing	2
28	975028	Ring Gear	1
29	975029	Carrier	1
30	975030	Idler Gear	2
31	975031	Bearing	2
32	975032	Pin	2
33	975033	Adapter	1
34	975034	Lock Ring	1
35	975035	Lock Ring	1
36	975036	Bearing	1
37	975037	Adapter	1
38	975038	Bearing	1
39	975439	Bevel Gear	1
40	975440	Housing	1
41	975441	Gear Housing	1
42	975442	Bolt	5
43	975443	Gear	3
44	975444	Gear	1
45	975445	Sleeve	2
46	975446	Housing Plate	1
47	975447	Nut	3
48	975448	Grease Fitting	1

505 N. Railroad Ave.
P.O. Box 1117
Boynton Beach, Florida 33435

SEE OUR CATALOG

at

www.taylorpneumatic.com

PH. 561-732-1111

FAX 561-731-4412

Toll Free 800-805-8665

06/09 TPTCDPT
all rights reserved
COPYRIGHT 2009