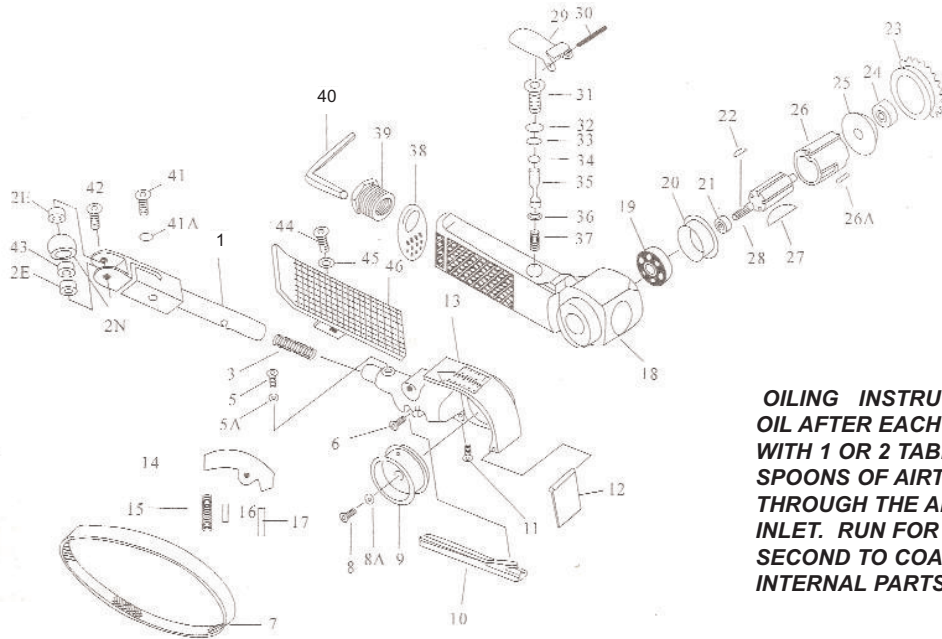


T- 7020A Belt Sander 3/4" X 20-1/2"

Taylor
Pneumatic Tool Company



OILING INSTRUCTIONS:
OIL AFTER EACH USE
WITH 1 OR 2 TABLE-
SPOONS OF AIRTOOL OIL
THROUGH THE AIR
INLET. RUN FOR ONE
SECOND TO COAT ALL
INTERNAL PARTS.

USE 90 PSI MAXIMUM

Ref.#	Part #	Description	Qty.
1	7020A01N	Idler Pulley Bracket	1
2	7020A02	Idler Pulley Assembly	1 set
		includes 2-#2E's, 1-#43, 1-#02N	
2E	7020A02E	Bearing	2
2N	7020A02N	Idler Pulley(no bearing or spacer)	1
3	7020A03	Spring	1
5	7020A05	Bolt	1
5A	7020A05A	Washer	1
6	7020A06	Bolt	1
7	T-7020A60	60 Grit Belt(optional)	1
7	T-7020A80	80 Grit Belt	1
7	T-7020A100	100 Grit Belt	1
7	T-7020A120	120 Grit Belt(optional)	1
8	7020A08	Bolt	1
8A	7020A08A	Washer	1
9	7020A09	Drive Pulley	1
10	7020A10	Shoe	1
11	7020A11	Bolt	1
12	7020A12	Dust Flap	1
13	7020A13	Guard Body	1
14	7020A14	Tension Bar	1
15	7020A15	Spring	1
16	7020A16	Lever Pin	1
17	7020A17	Lever Pin	1
18	7020A18	Housing	1

Ref.#	Part #	Description	Qty.
19	7020A19	Bearing	1
20	7020A20	End Plate	1
21	7020A21	Spacer	1
22	7020A22	Key	1
23	7020A23	Cap	1
24	7020A24	Bearing	1
25	7020A25	End Plate	1
26	7020A26	Cylinder	1
26A	7020A26A	Pin	1
27	7020A27	Rotor Blades (set of 5)	1 set
28	7020A28	Rotor	1
29	7020A29	Throttle Lever	1
30	7020A30	Lever Pin	1
31	7020A31	Valve Body	1
32	7020A32	"O" Ring	1
33	7020A33	"O" Ring	1
34	7020A34	"O" Ring	1
35	7020A35	Valve Stem	1
36	7020A36	"O" Ring	1
37	7020A37	Valve Spring	1
38	7020A38	Deflector	1
39	7020A39	Air Inlet	1
40	7020A40	Wrench	1
41	7020A41	Screw	1
41A	7020A41A	C -Clip	1
42	7020A42	Idler Pulley Screw	1
43	7020A43	Spacer	1
44	7020A44	Screw	1
45	7020A45	Spring Washer	1
46	7020A46	Finger Pad Assembly	1

505 N. Railroad Ave.

P.O. Box 1117

Boynton Beach, Florida 33435

SEE OUR CATALOG

at

www.taylorpneumatic.com

PH. 561-732-1111

FAX 561-731-4412

Toll Free 800-805-8665

06/09 TPTCDPT
all rights reserved
COPYRIGHT 2009
final