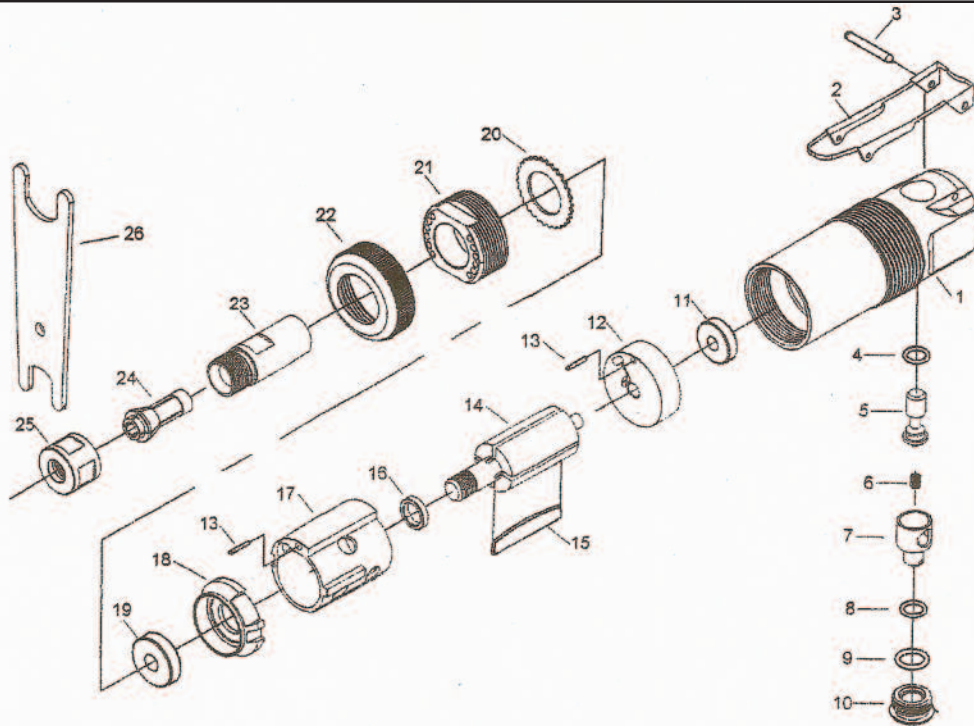


T-7308

1/4" High Speed Die Grinder Front Exhaust



OILING INSTRUCTIONS:

**OIL AFTER EACH USE
WITH 1 OR 2 TABLE-
SPOONS OF AIRTOOL OIL
THROUGH THE AIR INLET.
RUN FOR ONE SECOND
TO COAT ALL INTERNAL
PARTS.**

USE 90 PSI MAXIMUM

Ref.#	Part #	Description	Qty.
1	730801	Motor Housing	1
2	730802	Lever Assembly	1
3	730803	Throttle Pin	1
4	730804	"O" Ring	1
5	730805	Valve Stem	1
6	730806	Spring	1
7	730807	Regulator	1
8	730808	"O" Ring	1
9	730809	"O" Ring	1
10	730810	Cap	1
11	730811	Bearing	1
12	730812	Rear End Plate	1
13	730813	Pin	2
14	730814	Rotor	1
15	730815	Vane (set of 4pcs)	1 set

Ref.#	Part #	Description	Qty.
16	730816	Spacer	1
17	730817	Cylinder	1
18	730818	Front End Plate	1
19	730819	Bearing	1
20	730820	Exhaust Diffuser	1
21	730821	Clamp Nut	1
22	730822	Cap	1
23	730823	Collet Body	1
24	T-7504	1/4" Collet	1
24A	T-7508	1/8" Collet (optional)	1
25	730825	Collet Nut	1
26	730826	Wrench	2

505 N. Railroad Ave.
P.O. Box 1117
Boynton Beach, Florida 33435

SEE OUR CATALOG
at
www.taylorpneumatic.com

PH. 561-732-1111
FAX 561-731-4412
Toll Free 800-805-8665

3/08 TPTCDPT
all rights reserved
copyright 2008
final