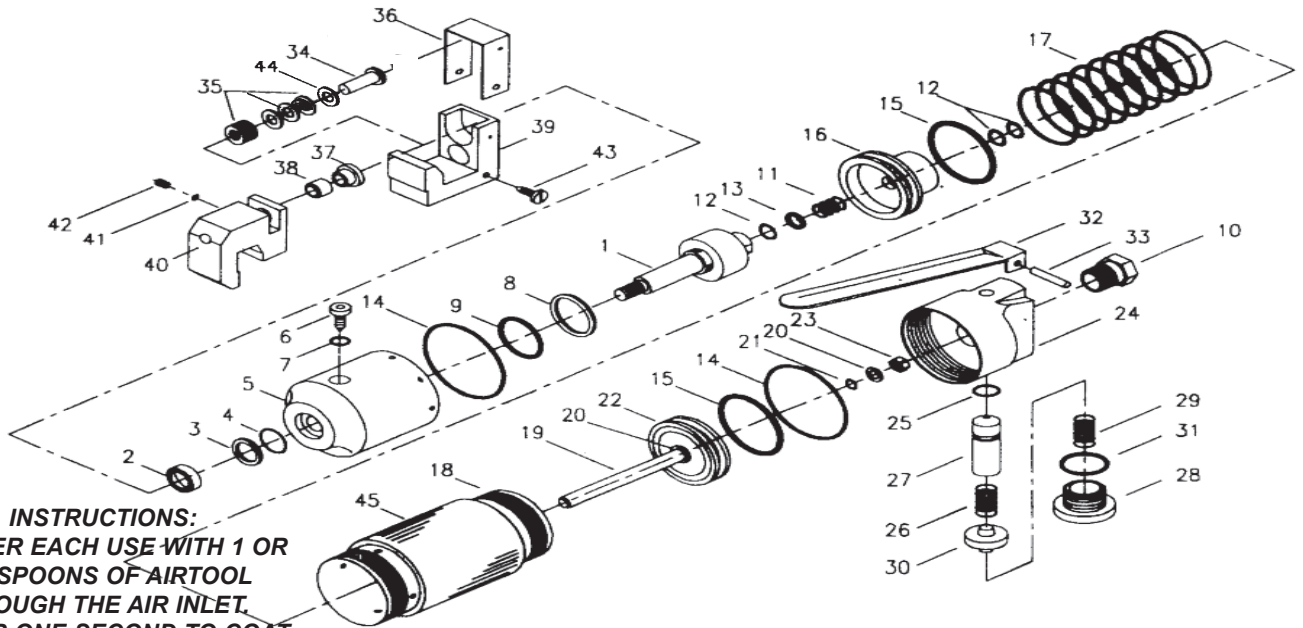


# T-7580 5/16" Punch/Flange



**OILING INSTRUCTIONS:**  
**OIL AFTER EACH USE WITH 1 OR 2 TABLESPOONS OF AIRTOOL OIL THROUGH THE AIR INLET. RUN FOR ONE SECOND TO COAT ALL INTERNAL PARTS.**

## USE 90 PSI MAXIMUM

Ref.#	Part #	Description	Qty.
1	758101N	Piston	1
1	758001N	Piston	1
2	758002N	Packing	1
3	758003N	Back-Up Ring	1
4	758004N	"O" Ring	1
5	758005N	Cylinder	1
6	758006N	Oil Plug	1
7	758007N	"O" Ring	1
8	758008N	Back-Up Ring	1
9	758009N	"O" Ring	1
10	758010N	Air Inlet	1
11	758011N	Spring	1
12	758012N	"O" Ring	3
13	758013N	Back-Up Ring	1
14	758014N	"O" Ring	2
15	758015N	"O" Ring	2
16	758016N	Piston	1
17	758017N	Spring	1
18	758018N	Cylinder	1
19	758019N	Piston Rod	1
20	758020N	Washer	2
21	758021N	"O" Ring	1
22	758022N	Piston	1
23	758023N	Lock Nut	1
24	758024N	Air Valve Body	1
25	758025N	"O" Ring	1
26	758026N	Spring	1
27	758027N	Air Valve	1
28	758028N	Plug	1

Ref.#	Part #	Description	Qty.
29	758029N	Spring	1
30	758030N	Valve Cover	1
31	758031N	"O" Ring	1
32	758032N	Lever	1
33	758033N	Pin	1
34	758034N	Punch	1
34	758134N	Punch	1
35	758035N	Spring Washer	12
36	758036N	Cover	1
	758136N	Cover	1
37	758037N	Guide Sleeve	1
37	758137N	Guide Sleeve	1
38	758038N	Punching Die	1
38	758138N	Punching Die	1
39	758039N	Anvil Bed	1
39	758139N	Anvil Bed	1
40	758040N	Punching Die Bed	1
40	758140N	Punching Die Bed	1
41	758041N	Packing	1
41	758141N	Packing	1
42	758042N	Screw	1
42	758142N	Screw	1
43	758043N	Screw	2
43	758143N	Screw	2
44	758044N	Washer	1
44	758144N	Washer	1
45	758045N	Plastic Cover	1

505 N. Railroad Ave.  
P.O. Box 1117  
Boynton Beach, Florida 33435

**SEE OUR CATALOG**  
**at**  
[www.taylorpneumatic.com](http://www.taylorpneumatic.com)

PH. 561-732-1111  
FAX 561-731-4412  
Toll Free 800-805-8665

07/08 TPTCDPT  
all rights reserved  
COPYRIGHT 2008  
final