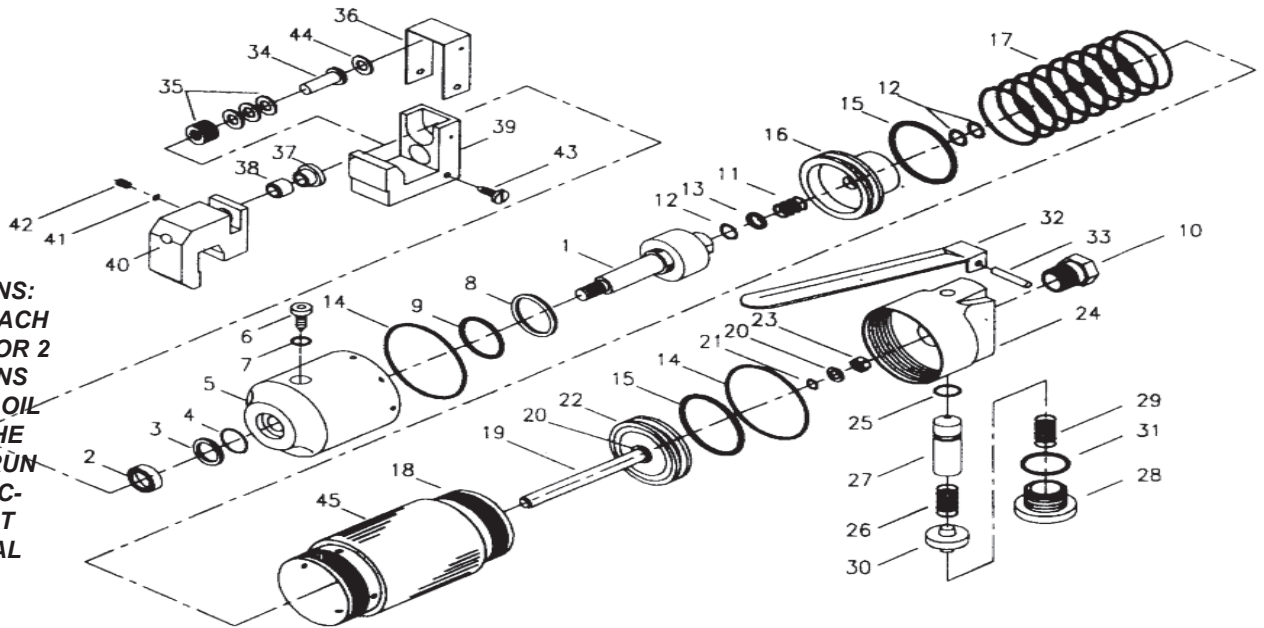


# T-7581 3/16" Punch/Flange



**OILING INSTRUCTIONS:**  
 OIL AFTER EACH USE WITH 1 OR 2 TABLESPOONS OF AIRTOOL OIL THROUGH THE AIR INLET. RUN FOR ONE SECOND TO COAT ALL INTERNAL PARTS.



## USE 90 PSI MAXIMUM

Ref.#	Part #	Description	Qty.
1	758101N	Piston	1
2	758102N	Packing	1
3	758103N	Back-Up Ring	1
4	758104N	"O" Ring	1
5	758105N	Cylinder	1
6	758106N	Oil Plug	1
7	758107N	"O" Ring	1
8	758108N	Back-Up Ring	1
9	758109N	"O" Ring	1
10	758110N	Air Inlet	1
11	758111N	Spring	1
12	758112N	"O" Ring	1
13	758113N	Back-Up Ring	3
14	758114N	"O" Ring	1
15	758115N	"O" Ring	2
16	758116N	Piston	2
17	758117N	Spring	1
18	758118N	Cylinder	1
19	758119N	Piston Rod	1
20	758120N	Washer	1
21	758121N	"O" Ring	2
22	758122N	Piston	1
23	758123N	Lock Nut	1
24	758124N	Air Valve Body	1
25	758125N	"O" Ring	1
26	758126N	Spring	1
27	758127N	Air Valve Plug	1
28	758128N	Plug	1

Ref.#	Part #	Description	Qty.
29	758129N	Spring	1
30	758130N	Valve Cover	1
31	758131N	"O" Ring	1
32	758132N	Trigger	1
33	758133N	Pin	1
34	758134N	Punch	1
35	758135N	Spring Washer	12
36	758136N	Cover	1
37	758137N	Guide Sleeve	1
38	758138N	Punching Die	1
39	758139N	Anvil Bed	1
40	758140N	Punching Die Bed	1
41	758141N	Packing	1
42	758142N	Screw	1
43	758143N	Screw	2
44	758144N	Washer	1
45	758145N	Plastic Wrap	1

505 N. Railroad Ave.  
 P.O. Box 1117  
 Boynton Beach, Florida 33435

**SEE OUR CATALOG**  
 at  
[www.taylorpneumatic.com](http://www.taylorpneumatic.com)

PH. 561-732-1111  
 FAX 561-731-4412  
 Toll Free 800-805-8665

07/09 TPTCDPT  
 all rights reserved  
 COPYRIGHT 2009  
 final