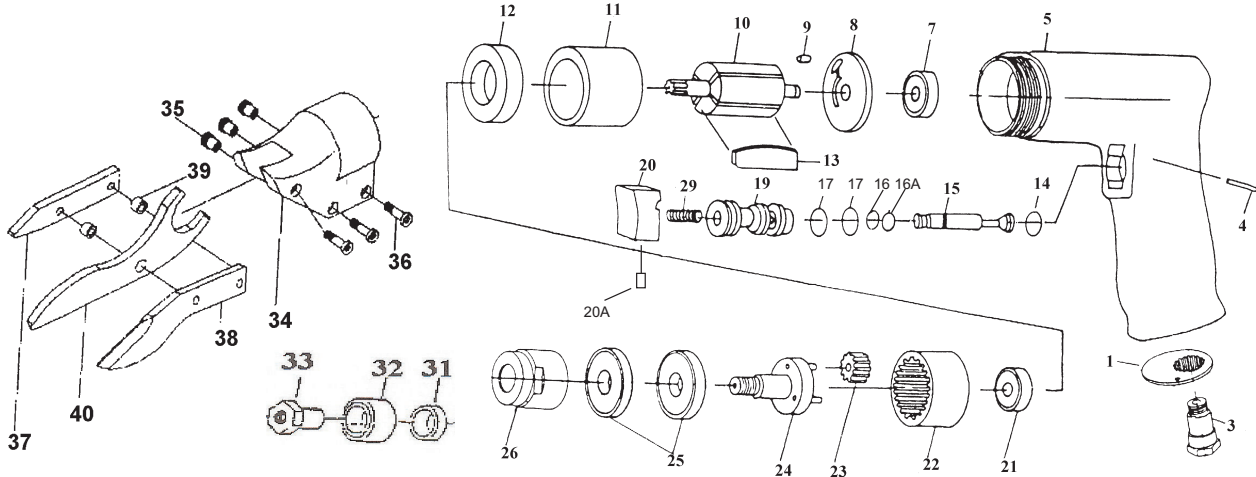


T-7700SS Scissor Shear



OILING INSTRUCTIONS:
OIL AFTER EACH USE WITH 2 OR 3
TABLESPOONS OF AIRTOOL OIL
THROUGH THE AIR INLET. RUN
FOR ONE SECOND TO COAT ALL
INTERNAL PARTS.

Ref.#	Part #	Description	Qty.	Ref.#	Part #	Description	Qty.
1	770001N	End Cap	1	24	770024N	Gear Carrier	1
3	770003N	Air Inlet	1	25	770025N	Bearing	2
4	770004N	Pin	1	26	770026N	Gear Housing	1
5	770005N	Handle	1	29	770029N	Spring	1
7	770007N	Bearing	1	31	770031N	Spacer	1
8	770008N	End Plate	1	32	770032N	Bearing	1
9	770009N	Pin	1	33	770033N	Eccentric Nut	1
10	770010N	Rotor	1	34	770034N	Shear Housing	1
11	770011N	Cylinder	1	35	770035N	Nut	3
12	770012N	End Plate	1	36	770036N	Screw	3
13	770013N	Rotor Blade(4 per set)	1 set	37	7700SS37N	Right Blade	1
14	770014N	O Ring	1	38	7700SS38N	Left Blade	1
15	770015N	Valve Stem	1	39	7700SS39N	Spacer	2
16	770016N	O Ring	1	40	7700SS40N	Center Blade	1
16A	770016AN	O Ring	1				
17	770017N	O Ring	2				
19	770019N	Valve Body	1				
20	770020N	Trigger	1				
20A	770020AN	Screw	1				
21	770021N	Bearing	1				
22	770022N	Ring Gear	1				
23	770023N	Planet Gear	3				

505 N. Railroad Ave.
P.O. Box 1117
Boynton Beach, Florida 33435

SEE OUR CATALOG
at
www.taylorpneumatic.com

PH. 561-732-1111
FAX 561-731-4412
Toll Free 800-805-8665

07/09 TPTCDPT
all rights reserved
COPYRIGHT 2009
final