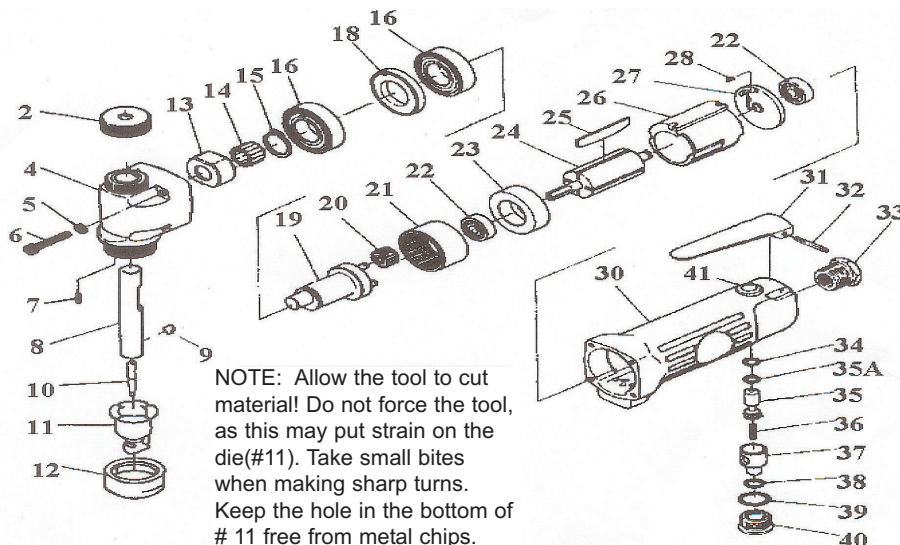


# T-7711 Nibbler 18 Gauge Capacity

**Taylor**  
Pneumatic Tool Company

## OILING INSTRUCTIONS:

**OIL AFTER EACH USE WITH 1 OR 2 TEASPOONS OF AIRTOOL OIL THROUGH THE AIR INLET. RUN FOR ONE SECOND TO COAT ALL INTERNAL PARTS.**



## USE 90 PSI MAXIMUM

Ref.#	Part #	Description	Qty.
2	771102	Head Cap	1
4	771104	Head	1
5	771105	Washer	4
6	771106	Screw	4
7	771107	Pin	1
8	771108	Slide Pin	1
9	771109	Set Screw	1
10	771110	Punch	1
11	771111	Die	1
12	771112	Lock Nut	1
13	771113	Cam	1
14	771114	Needle Roller	1
15	771115	Retaining Ring	1
16	771116	Bearing	2
18	771118	Spacer	1
19	771119	Crank Shaft with pins	1
20	771120	Idler Gear	3
21	771121	Internal Gear	1
22	771122	Bearing	2

Ref.#	Part #	Description	Qty.
23	771123	Front End Plate	1
24	771124	Rotor	1
25	771125	Rotor Blade (4)	1 set
26	771126	Cylinder	1
27	771127	Rear End Plate	1
28	771128	Pin	1
30	771130	Motor Housing	1
31	771131	Throttle Lever	1
32	771132	Lever Pin	1
33	771133	Inlet Bushing	1
34	771134	"O" Ring	1
35	771135	Valve Stem	1
35A	771135A	"O" Ring	1
36	771136	Valve Spring	1
37	771137	Air Regulator	1
38	771138	"O" Ring	1
39	771139	"O" Ring	1
40	771140	Throttle Valve Plug	1
41	771141	Valve Bushing	1

505 N. Railroad Ave.  
P.O. Box 1117  
Boynton Beach, Florida 33435

**SEE OUR CATALOG**  
at  
[www.taylorpneumatic.com](http://www.taylorpneumatic.com)

PH. 561-732-1111  
FAX 561-731-4412  
Toll Free 800-805-8665

07/09 TPTCDPT  
all rights reserved  
COPYRIGHT 2009  
final