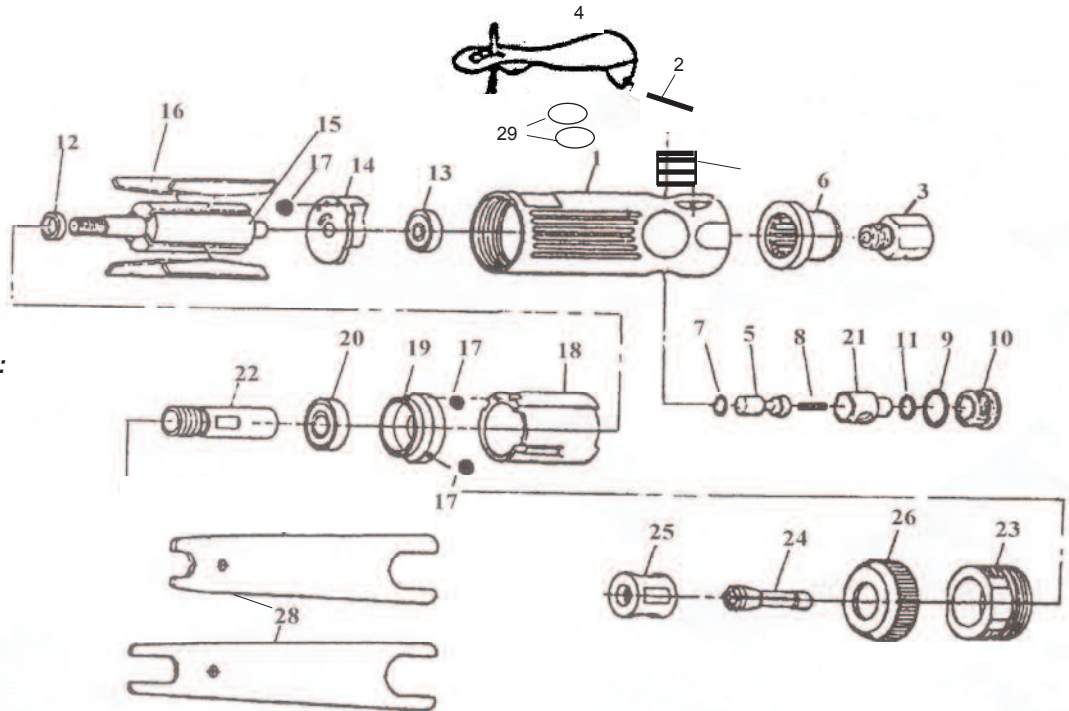


T-7757R

1/4" High Speed Die Grinder



OILING INSTRUCTIONS:

OIL AFTER EACH USE WITH 2 OR 3 TABLESPOONS OF AIRTOOL OIL THROUGH THE AIR INLET. RUN FOR ONE SECOND TO COAT ALL INTERNAL PARTS.

USE 90 PSI MAXIMUM

Ref.#	Part #	Description	Qty.
1	7757R01N	Motor Housing	1
2	7757R02N	Lever Pin	1
3	7757R03N	Air Inlet	1
4	7757R04N	Throttle Lever	1
5	7757R05N	Valve Stem	1
6	7757R06N	Exhaust Deflector	1
7	7757R07N	"O" Ring	1
8	7757R08N	Valve Spring	1
9	7757R09N	"O" Ring	1
10	7757R10N	Throttle Plug	1
11	7757R11N	"O" Ring	1
12	7757R12N	Stop Ring	1
13	7757R13N	Bearing	1
14	7757R14N	Rear End Plate	1
15	7757R15N	Rotor	1

Ref.#	Part #	Description	Qty.
16	7757R16N	Rotor Blades (4 per set)	1 set
17	7757R17N	Ball	3
18	7757R18N	Cylinder	1
19	7757R19N	Front End Plate	1
20	7757R20N	Bearing	1
21	7757R21N	Air Regulator	1
22	7757R22N	Collet Body	1
23	7757R23N	Retainer	1
24	T-7504	1/4" Collet	1
24A	T-7508	1/8" Collet (Not Incl'd)	1
25	7757R25N	Collet Nut	1
26	7757R26N	Housing Cap	1
28	7757R28N	Wrench	2
29	7757R29N	"O" Ring	2
30	7757R30N	Bushing	1

505 N. Railroad Ave.
P.O. Box 1117
Boynton Beach, Florida 33435

SEE OUR CATALOG
at
www.taylorpneumatic.com

PH. 561-732-1111
FAX 561-731-4412
Toll Free 800-805-8665

11/07 TPTCDPT
all rights reserved
COPYRIGHT 2007
final