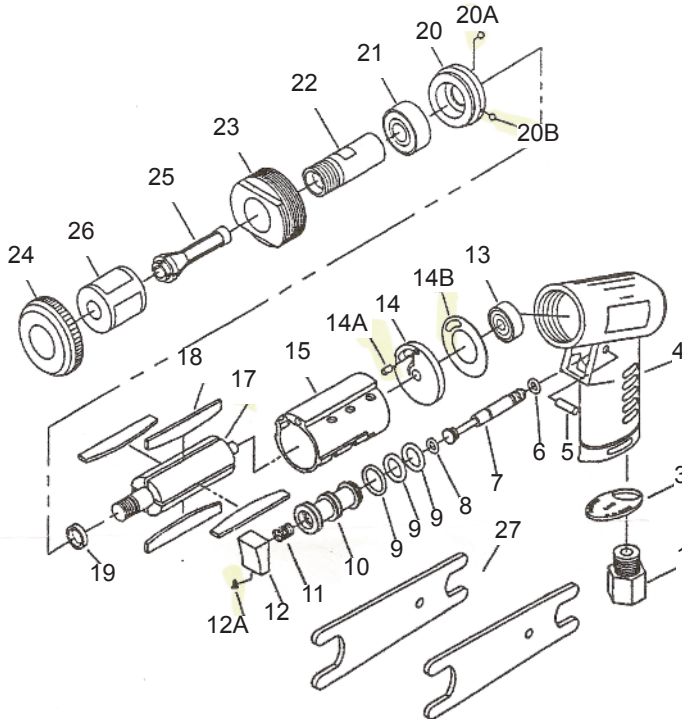


# T-7779RN Pistol Grip Die Grinder



**OILING INSTRUCTIONS:**  
**OIL AFTER EACH USE WITH 1 OR 2**  
**TABLESPOONS OF AIRTOOL OIL**  
**THROUGH THE AIR INLET. RUN FOR**  
**ONE SECOND TO COAT ALL INTER-**  
**NAL PARTS.**

## USE 90 PSI MAXIMUM

Ref.#	Part #	Description	Qty.
1	7779R01	Hose Adapter	1
3	7779R03	Exhaust Sleeve	1
4	7779R04	Motor Housing	1
5	7779R05	Spring Pin	1
6	7779R06N	"O" Ring	1
7	7779R07	Valve Stem	1
8	7779R08	"O" Ring	1
9	7779R09N	"O" Ring	3
10	7779R10N	Valve Body	1
11	7779R11	Spring	1
12	7779R12	Trigger	1
121A	7779R12A	Screw	1
13	7779R13	Bearing	1
14	7779R14	Rear End Plate	1
14A	7779R14A	Locating Pin	1
14B	7779R14B	Gasket	1

Ref.#	Part #	Description	Qty.
15	7779R15	Cylinder	1
17	7779R17	Rotor	1
18	7779R18	Rotor Blade(set of 4)	1 set
19	7779R19	Washer	1
20	7779R20	Front End Plate	1
20A	7779R20A	Ball	1
20B	7779R20B	Ball	1
21	7779R21	Bearing	1
22	7779R22	Spindle	1
23	7779R23	Retainer	1
24	7779R24	Housing Cap	1
25	T-7504	Collet 1/4"	1
	T-7508	Collet 1/8" (optional)	
26	7779R26	Collet Nut	1
27	7779R27	Spanner	2

505 N. Railroad Ave.  
P.O. Box 1117  
Boynton Beach, Florida 33435

**SEE OUR CATALOG**  
**at**  
[www.taylorpneumatic.com](http://www.taylorpneumatic.com)

PH. 561-732-1111  
FAX 561-731-4412  
Toll Free 800-805-8665

07/09 TPTCDPT  
all rights reserved  
COPYRIGHT 2009  
final