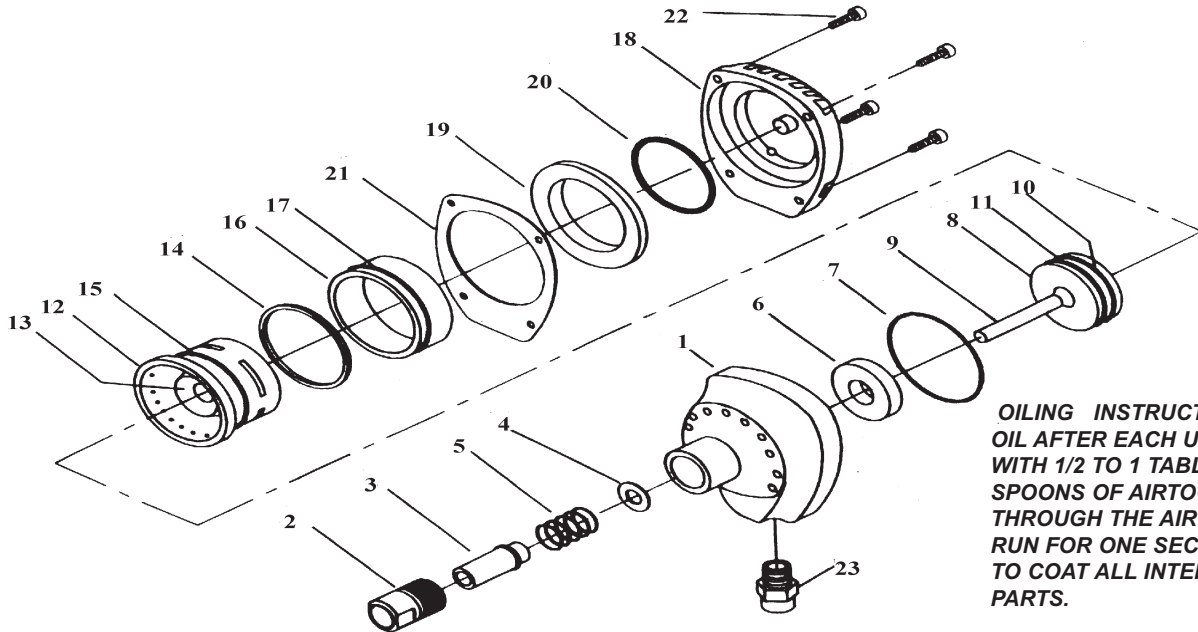


# T-7780 Nailer



**OILING INSTRUCTIONS:**  
**OIL AFTER EACH USE**  
**WITH 1/2 TO 1 TABLE-**  
**SPOONS OF AIRTOOL OIL**  
**THROUGH THE AIR INLET.**  
**RUN FOR ONE SECOND**  
**TO COAT ALL INTERNAL**  
**PARTS.**

## USE 90 PSI MAXIMUM

Ref.#	Part #	Description	Qty.
1	778001	Body	1
2	778002	Guide Box	1
3	778003	Guide Bushing	1
4	778004	Spring Washer	1
5	778005	Spring	1
6	778006	Damping Rubber	1
7	778007	"O" Ring	1
8	778008	Piston	1
9	778009	Piston Rod	1
10	778010	"O" Ring	1
11	778011	"O" Ring	1
12	778012	Cylinder	1

Ref.#	Part #	Description	Qty.
13	778013	Cylinder Cover	1
14	778014	Rubber Ring	1
15	778015	"O" Ring	1
16	778016	Valve	1
17	778017	"O" Ring	1
18	778018	Cover	1
19	778019	Valve Packing	1
20	778020	"O" Ring	1
21	778021	Gasket	1
22	778022	Screw	4
23	778023	Air Inlet	1
24	778024	Hex Wrench (not shown)	1

505 N. Railroad Ave.  
 P.O. Box 1117  
 Boynton Beach, Florida 33435

**SEE OUR CATALOG**  
 at  
[www.taylorpneumatic.com](http://www.taylorpneumatic.com)

PH. 561-732-1111  
 FAX 561-731-4412  
 Toll Free 800-805-8665

06/09 TPTCDPT  
 all rights reserved  
 COPYRIGHT 2009  
 final