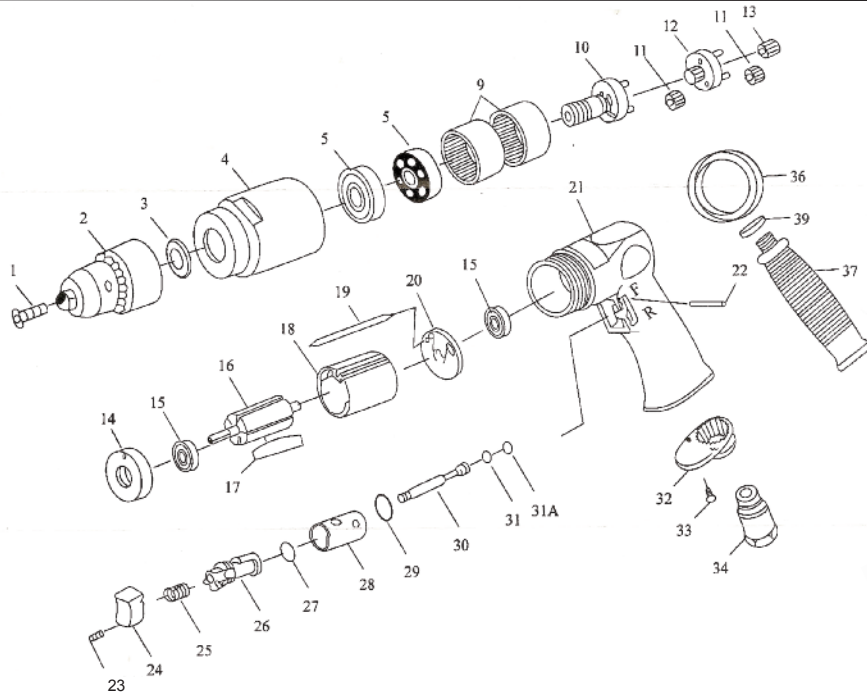


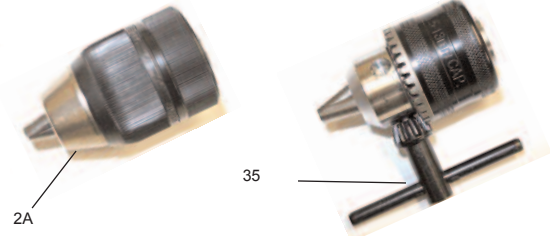
T-7788HR 1/2" Reversible Drill
T-7788HRK 1/2" Reversible Drill
w/ Keyless Chuck



OILING INSTRUCTIONS:

OIL AFTER EACH USE WITH 1 OR 2 TABLESPOONS OF AIRTOOL OIL THROUGH THE AIR INLET. RUN FOR ONE SECOND TO COAT ALL INTERNAL PARTS.

T-7788HR-KC T-7788HR-A & B



USE 90 PSI MAXIMUM

Ref.#	Part #	Description	Qty.
1	7788HR01N3	Screw	1
2	7788HR-A	1/2" Drill Chuck	1
2A	7788HR-KC	1/2"Keyless Drill Chuck	1
3	7788HR03N3	Chuck Spacer	2
4	7788HR04N3	Gear Housing	1
5	7788HR05N3	Bearing	2
9	7788HR09N3	Internal Gear	2
10	7788HR10N3	Spindle	1
11	7788HR11N3	Idler Gear	6
12	7788HR12N3	Reduction Spindle	1
13	7788HR13N3	Pinion Gear	1
14	7788HR14N3	End Plate	1
15	7788HR15N3	Bearing	2
16	7788HR16N3	Rotor	1
17	7788HR17N3	Rotor Blade (5 per set)	1 set
18	7788HR18N3	Cylinder	1
19	7788HR19N3	Pin	1

Ref.#	Part #	Description	Qty.
20	7788HR20N3	End Plate	1
21	7788HR21N3	Motor Housing	1
22	7788HR22N3	Pin	1
23	7788HR23N3	Screw	1
24	7788HR24N3	Trigger	1
25	7788HR25N3	Valve Spring	1
26	7788HR26N3	Reverse Lever	1
27	7788HR27N3	"O" Ring	1
28	7788HR28N3	Reverse Bushing	1
29	7788HR29N3	"O" Ring	1
30	7788HR30N3	Valve Stem	1
31	7788HR31N3	"O" Ring	1
32	7788HR32N3	Exhaust Deflector	1
33	7788HR33N3	Screw	2
34	7788HR34N3	Air Inlet	1
35	7788HR-B	1/2" Drill Chuck Key	1
36	7788HR36N3	Clamp Ring	1
37	7788HR37N3	Side Handle	1
39	7788HR39N3	Spacer	1

505 N. Railroad Ave.
P.O. Box 1117
Boynton Beach, Florida 33435

SEE OUR CATALOG
at
www.taylorpneumatic.com

PH. 561-732-1111
FAX 561-731-4412
Toll Free 800-805-8665

07/09 TPTC
all rights reserved
COPYRIGHT 2009
final