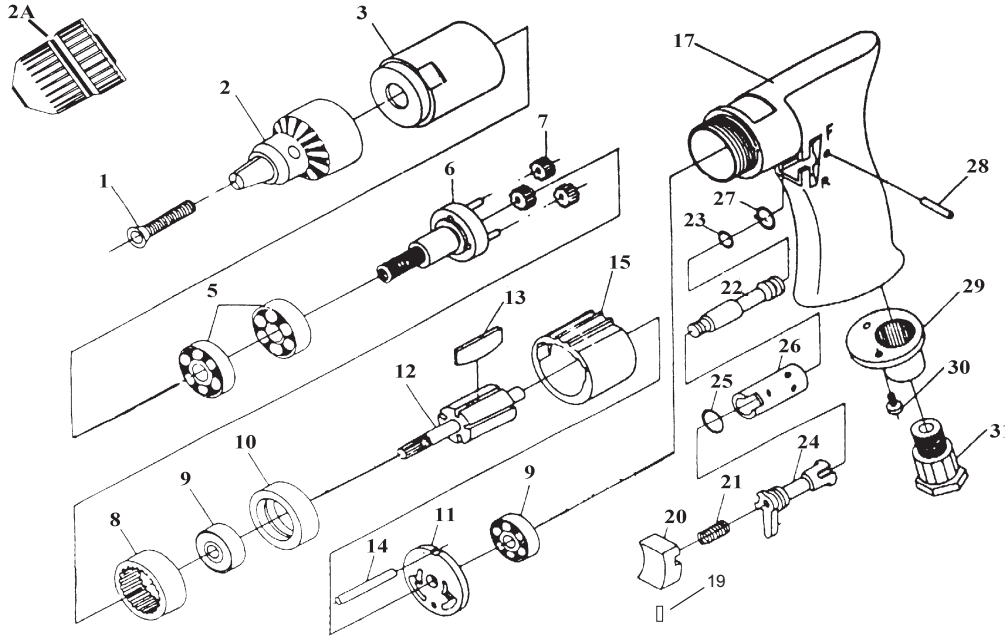


**T-7788K 3/8" Reversible Drill  
w/ Keyless Chuck**  
**T-7788R 3/8" Reversible Drill**



**OILING INSTRUCTIONS:**

**OIL AFTER EACH USE WITH 1 OR 2 TABLESPOONS OF AIRTOOL OIL THROUGH THE AIR INLET. RUN FOR ONE SECOND TO COAT ALL INTERNAL PARTS.**

**USE 90 PSI MAXIMUM**

Ref.#	Part #	Description	Qty.
1	7788R01N	Screw	1
2	7788-A	3/8" Drill Chuck	1
2A	7788KC	3/8" Keyless Drill Chuck	1
3	7788R03N	Gear Housing	1
5	7788R05N	Bearing	2
6	7788R06N	Planet Carrier with Pins	1
7	7788R07N	Planet Gear	3
8	7788R08N	Internal Gear	1
9	7788R09N	Bearing	2
10	7788R10N	Bearing Case	1
11	7788R11N	End Plate	1
12	7788R12N	Rotor	1
13	7788R13N	Rotor Blade (5 per set)	1 set
14	7788R14N	Motor Pin	1

Ref.#	Part #	Description	Qty.
15	7788R15N	Cylinder	1
17	7788R17N	Motor Housing	1
19	7788R19N	Set Screw	1
20	7788R20N	Trigger	1
21	7788R21N	Valve Spring	1
22	7788R22N	Throttle Valve	1
23	7788R23N	"O" Ring	1
24	7788R24N	Reverse Valve	1
25	7788R25N	"O" Ring	1
26	7788R26N	Reverse Valve Bushing	1
27	7788R27N	"O" Ring	1
28	7788R28N	Pin	1
29	7788R29N	Exhaust Deflector	1
30	7788R30N	Screw	2
31	7788R31N	Air Inlet	1

505 N. Railroad Ave.  
P.O. Box 1117  
Boynton Beach, Florida 33435

**SEE OUR CATALOG**  
at  
[www.taylorpneumatic.com](http://www.taylorpneumatic.com)

PH. 561-732-1111  
FAX 561-731-4412  
Toll Free 800-805-8665

07/09 TPTCDPT  
all rights reserved  
COPYRIGHT 2009  
final