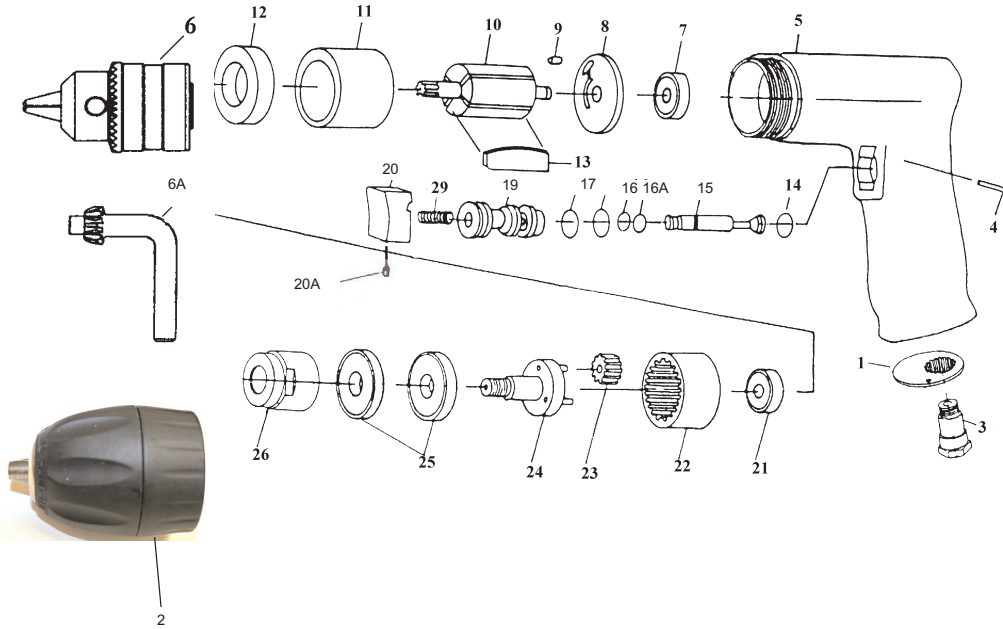


**T-7788N      3/8" Drill**  
**T-7788NFK    3/8" Drill w/  
 Keyless Chuck**



**OILING INSTRUCTIONS:**

**OIL AFTER EACH USE WITH 1 OR 2 TABLESPOONS OF AIRTOOL OIL THROUGH THE AIR INLET. RUN FOR ONE SECOND TO COAT ALL INTERNAL PARTS.**

**USE 90 PSI MAXIMUM**

Ref.#	Part #	Description	Qty.
1	778801N	Housing End Cap	1
2	7788-KC	Keyless Chuck	1
3	778803N	Air Inlet	1
4	778804N	Pin	1
5	778805N	Motor Housing	1
6	7788-A	3/8" Chuck	1
6A	7788-B	Key	1
7	778807N	Bearing	1
8	778808N	End Plate	1
9	778809N	Pin	1
10	778810N	Rotor	1
11	778811N	Cylinder	1
12	778812N	Front End Plate	1
13	778813N	Rotor Blade (4 per set)	1 set
14	778814N	"O" Ring	1

Ref.#	Part #	Description	Qty.
15	778815N3	Valve Stem	1
16	778816N	"O" Ring	1
16A	778816AN3	"O" Ring	1
17	778817N	"O" Ring	2
19	778819N3	Valve Body	1
20	778820N3	Trigger	1
20A	778820AN	Screw	1
21	778821N	Bearing	1
22	778822N	Internal Gear	1
23	778823N	Planet Gear	3
24	778824N	Plant cage	1
25	778825N	Bearing	2
26	778826N	Gear Housing	1
29	778829N	Valve Spring	1

505 N. Railroad Ave.  
 P.O. Box 1117  
 Boynton Beach, Florida 33435

**SEE OUR CATALOG**  
 at  
[www.taylorpneumatic.com](http://www.taylorpneumatic.com)

PH. 561-732-1111  
 FAX 561-731-4412  
 Toll Free 800-805-8665

07/09 TPTCDPT  
 all rights reserved  
 COPYRIGHT 2009  
 final