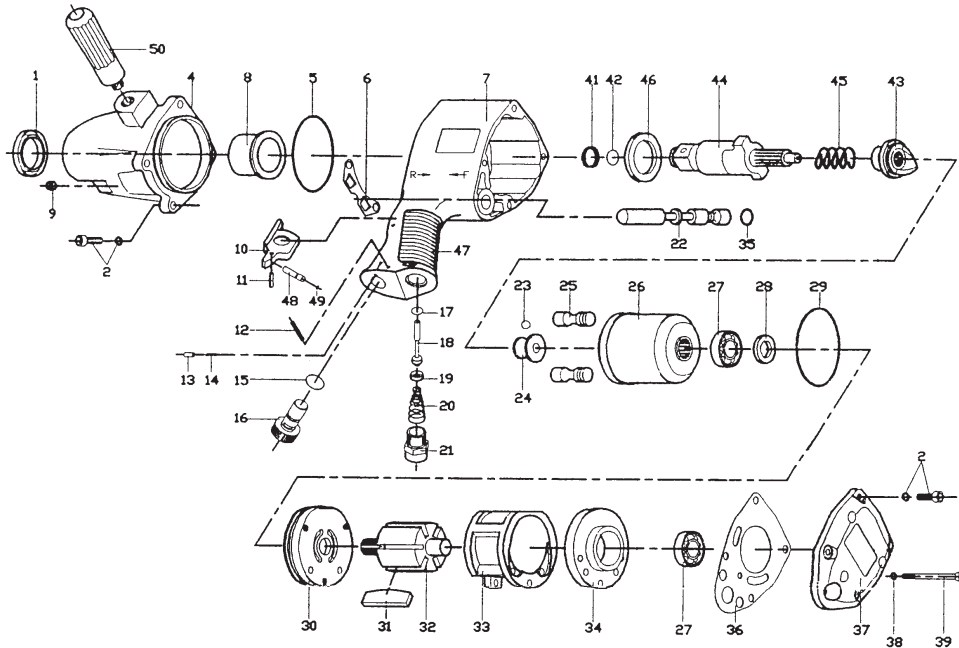


T-7794 1" Impact Wrench

Taylor
Pneumatic Tool Company



OILING INSTRUCTIONS:

OIL AFTER EACH USE WITH 2 OR 3 TABLESPOONS OF AIRTOOL OIL THROUGH THE AIR INLET. RUN FOR ONE SECOND TO COAT ALL INTERNAL PARTS.

USE 90 PSI MAXIMUM

Ref.#	Part #	Description	Qty.
1	779401	Oil Seal	1
2	779402	Screw/Washer	8
4	779404	Hammer Case	1
5	779405	"O" Ring	1
6	779406	Exhaust Deflector	1
7	779407	Motor Housing	1
8	779408	Bushing	1
9	779409	Set Screw	1
10	779410	Trigger	1
11	779411	Spring Pin	1
12	779412	Spring Pin	1
13	779413	Pin	1
14	779414	Spring	1
15	779415	"O" Ring	1
16	779416	Regulator	1
17	779417	"O" Ring	1
18	779418	Valve Stem	1
19	779419	Retainer	1
20	779420	Spring	1
21	779421	Hose Adapter	1
22	779422	Reverse Valve	1
23	779423	Ball	1
24	779424	Spindle Guide	1
25	779425	Hammer Pin	2

Ref.#	Part #	Description	Qty.
26	779426	Hammer Cage	1
27	779427	Bearing	2
28	779428	Oil seal	1
29	779429	"O" Ring	1
30	779430	Front End Plate	1
31	779431	Rotor Blade (6 per set)	1 set
32	779432	Rotor	1
33	779433	Cylinder	1
34	779434	Rear End Plate	1
35	779435	"O" Ring	1
36	779436	Rear Gasket	1
37	779437	Rear Cover	1
38	779438	Washer	3
39	779439	Screw	3
41	779441	Anvil Collar	1
42	779442	"O" Ring	1
43	779443	Hammer Cam	1
44	779444	Anvil	1
45	779445	Spring	1
46	779446	Washer	1
47	779447	Rubber Grip	1
48	779448	Push Pin	1
49	779449	"O" Ring	1
50	779450	Side Handle	1

505 N. Railroad Ave.
P.O. Box 1117
Boynton Beach, Florida 33435

SEE OUR CATALOG
at
www.taylorpneumatic.com

PH. 561-732-1111
FAX 561-731-4412
Toll Free 800-805-8665

06/09 TPTCDPT
all rights reserved
COPYRIGHT 2009
final