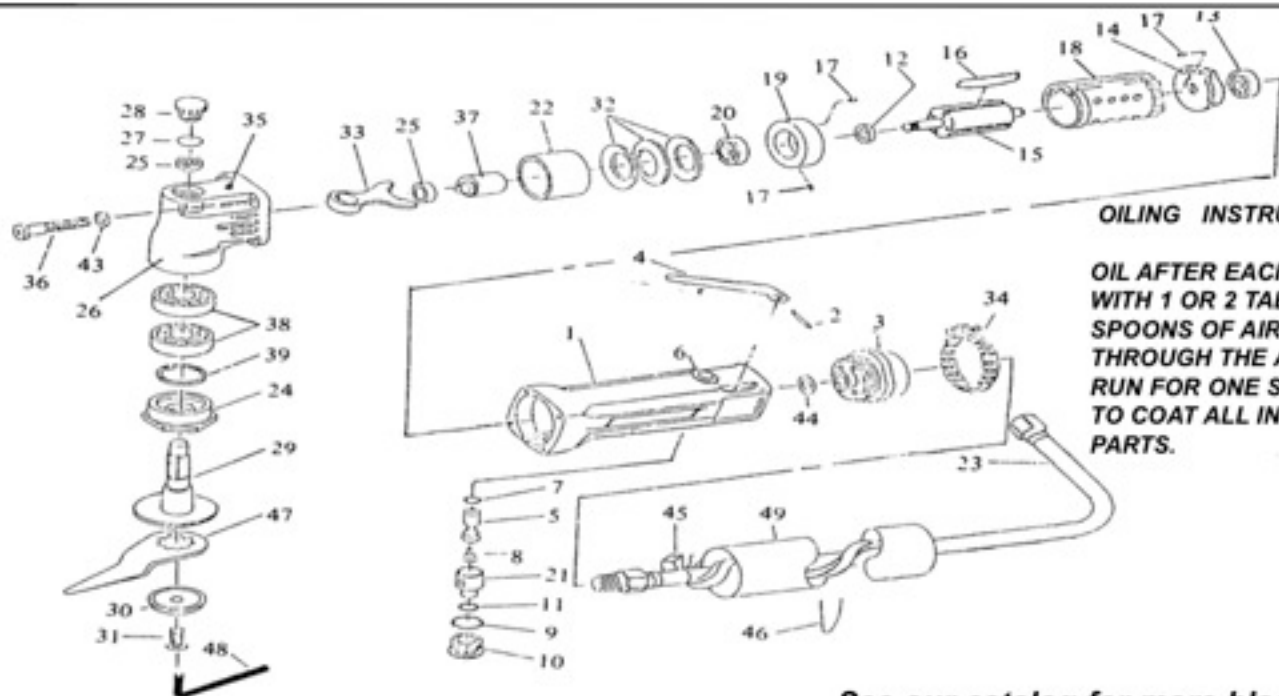


# T- 7838 H/D Sealant Cutter

**Taylor**  
Pneumatic Tool Company



### OILING INSTRUCTIONS:

**OIL AFTER EACH USE  
WITH 1 OR 2 TABLE-  
SPOONS OF AIRTOOL OIL  
THROUGH THE AIR INLET.  
RUN FOR ONE SECOND  
TO COAT ALL INTERNAL  
PARTS.**

*See our catalog for more blades*

### USE 90 PSI MAXIMUM

Ref.#	Part #	Description	Qty.
1	783801	Motor Housing	1
2	783802	Pin	1
3	783803	Air Inlet	1
4	783804	Throttle Lever Complete	1
5	783805	Valve Stem	1
6	783806	Bushing	1
7	783807	"O" Ring	1
8	783808	Spring	1
9	783809	"O" Ring	1
10	783810	Throttle Valve	1
11	783811	"O" Ring	1
12	783812	Spacer	1
13	783813	Bearing	1
14	783814	Rear End Plate	1
15	783815	Rotor	1
16	783816	Rotor Blades (4 per set)	1 set
17	783817	Pin	3
18	783818	Cylinder	1
19	783819	Front End Plate	1
20	783820	Bearing	1
21	783821	Air Regulator	1
22	783822	Spacer	1
23	783823	Hose	1
24	783824	Clamp Nut	1
25	783825	Bearing	2

Ref.#	Part #	Description	Qty.
26	783826	Housing	1
27	783827	"O" Ring	1
28	783828	Knob	1
29	783829	Spindle	1
30	783830	Washer	1
31	783831	Screw	1
32	783832	Washer	3
33	783833	Oscillator	1
34	783834	Shaft	1
35	783835	Grease Fitting	1
36	783836	Screw	4
37	783837	Crank Shaft	1
38	783838	Bearing	2
39	783839	Seal	1
40	783840	Washer	4
41	783841	Packing	1
42	783842	Muffler	1
43	783843	Retainer	3
44	783844	2-1/2" Offset Blade	1
45	783845	Hex. Key Wrench	1
46	783846	Exhaust Hose	1

505 N. Railroad Ave.  
P.O. Box 1117  
Boynton Beach, Florida 33435

**SEE OUR CATALOG**  
at  
[www.taylorpneumatic.com](http://www.taylorpneumatic.com)

PH. 561-732-1111  
FAX 561-731-4412  
Toll Free 800-805-8665

06/09 TPTCDPT  
all rights reserved  
COPYRIGHT 2009